

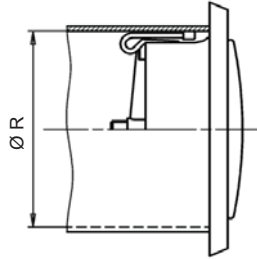
Ventilation fittings

Exhaust valves CA 75 - 200

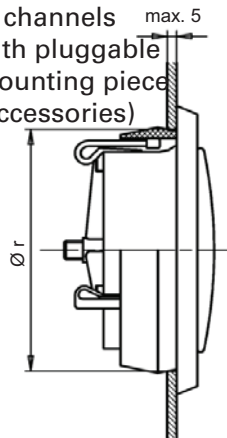


Mounting examples:

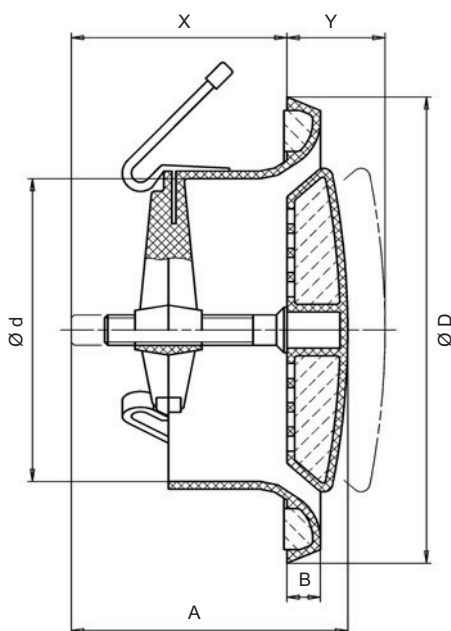
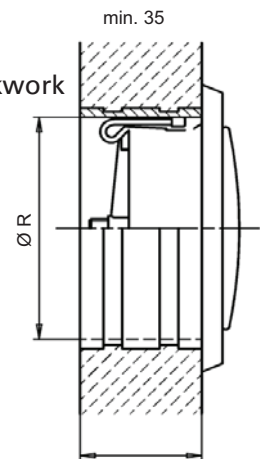
Direct in tube



In channels with pluggable mounting piece (accessories)



In brickwork



Type	CA 75	CA 100	CA 125	CA 150	CA 200
Ø R	75-90	95-115	120-140	145-160	195-210
Ø r	85	110	130	155	205
Ø D	110	135	155	180	230
Ø d	60	80	100	120	160
A	80	80	80	85	90
B	10	10	10	10	10
X	75	72	68	84	87
Y	28	30	30	30	34

7 decisive advantages for Colasit-exhaust valves

- First-class sound damper
- Fluidic optimized design
- Simple, continuously variable air volume adjustment
- In shock-resisting plastic material
- Quick and easy mounting
- Large selection
- Colours: white, brown, grey

