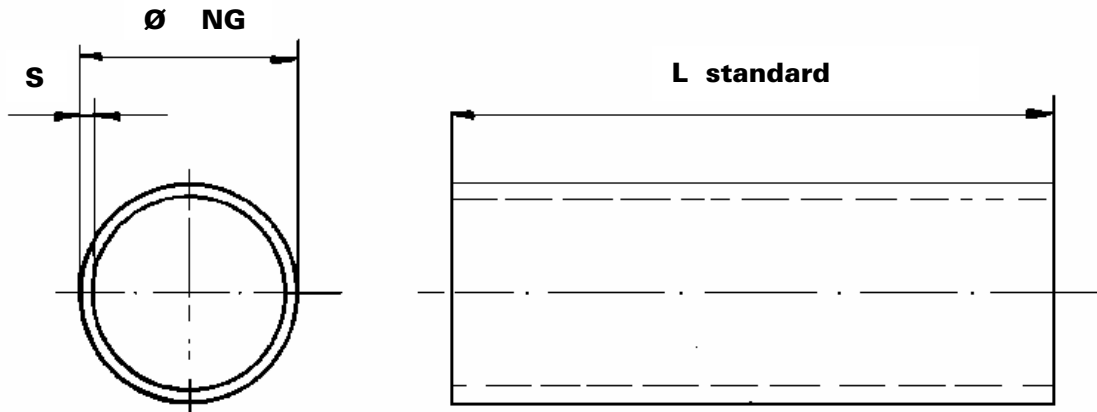


Lüftungsrohr

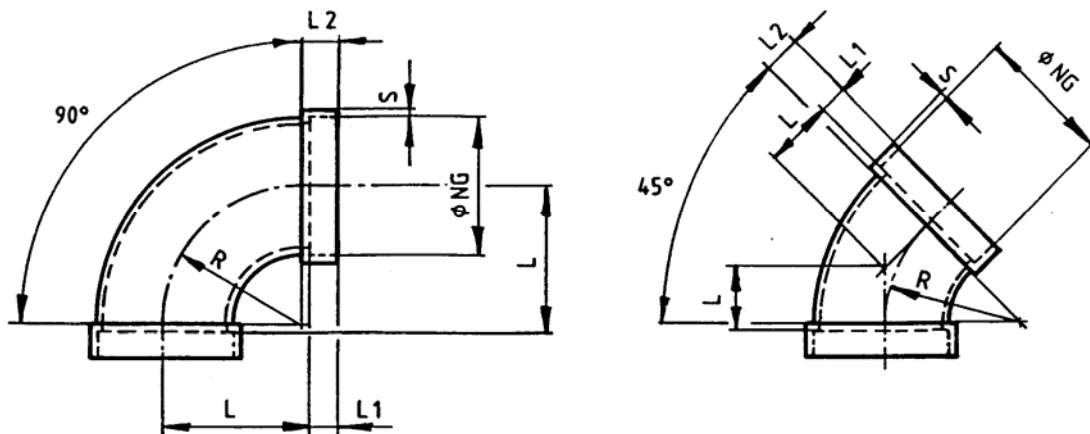
Massbild Nr. 1.010
 Material PVC / PP / PPs / PE



| \varnothing NG | PVC | | PP | | PPs | | PE | |
|------------------|-----|------|-----|------|-----|------|-----|------|
| | S | L | S | L | S | L | S | L |
| 63 | 1.8 | 5000 | 1.8 | 5000 | 3 | 5000 | 2 | 5000 |
| 75 | 1.8 | 5000 | 1.9 | 5000 | 3 | 5000 | 1.9 | 5000 |
| 90 | 1.8 | 5000 | 2.2 | 5000 | 3 | 5000 | 2.2 | 5000 |
| 110 | 1.8 | 5000 | 2.7 | 5000 | 3 | 5000 | 2.7 | 5000 |
| 125 | 1.8 | 5000 | 3.1 | 5000 | 3 | 5000 | 3.1 | 5000 |
| 140 | 1.8 | 5000 | 3.5 | 5000 | 3 | 5000 | 3.5 | 5000 |
| 160 | 1.8 | 5000 | 4 | 5000 | 3 | 5000 | 4 | 5000 |
| 180 | 1.8 | 5000 | 4.4 | 5000 | 3 | 5000 | 4.4 | 5000 |
| 200 | 1.8 | 5000 | 4.9 | 5000 | 3 | 5000 | 4.9 | 5000 |
| 225 | 1.8 | 5000 | 5.5 | 5000 | 3.5 | 5000 | 5.5 | 5000 |
| 250 | 2.0 | 5000 | 6.2 | 5000 | 3.5 | 5000 | 6.2 | 5000 |
| 280 | 2.3 | 5000 | 6.9 | 5000 | 4 | 5000 | 6.9 | 5000 |
| 315 | 2.5 | 5000 | 7.7 | 5000 | 5 | 5000 | 7.7 | 5000 |
| 355 | 2.9 | 5000 | 8.7 | 5000 | 5 | 5000 | 8.7 | 5000 |
| 400 | 3.2 | 5000 | 9.8 | 5000 | 6 | 5000 | 9.8 | 5000 |
| 450 | 3.6 | 5000 | 7 | 5000 | 5 | 5000 | 4 | 4000 |
| 500 | 4 | 5000 | 8 | 5000 | 5 | 5000 | 5 | 4000 |
| 560 | | | 5 | 5000 | 5 | 4000 | 6 | 4000 |
| 600 | 5 | 5000 | | | | | | |
| 630 | | | 5 | 4000 | 5 | 4000 | 6 | 4000 |
| 710 | | | 5 | 4000 | 5 | 4000 | 6 | 4000 |
| 800 | | | 6 | 4000 | 6 | 4000 | 8 | 4000 |
| 900 | | | 6 | 4000 | 6 | 4000 | 8 | 4000 |
| 1000 | | | 8 | 4000 | 8 | 4000 | 8 | 4000 |
| 1120 | | | 8 | 4000 | 8 | 4000 | 10 | 4000 |
| 1250 | | | 8 | 4000 | 8 | 4000 | 10 | 4000 |

Rohrbogen „Beck“ 90°/45°

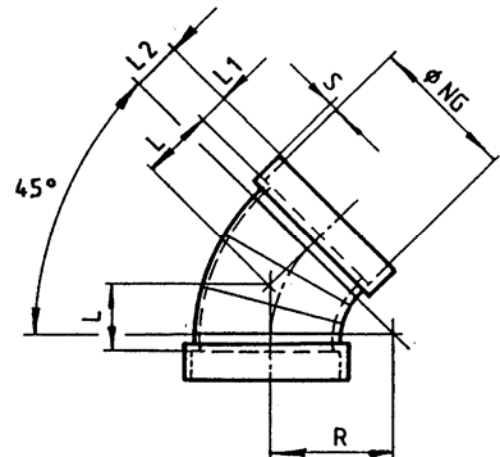
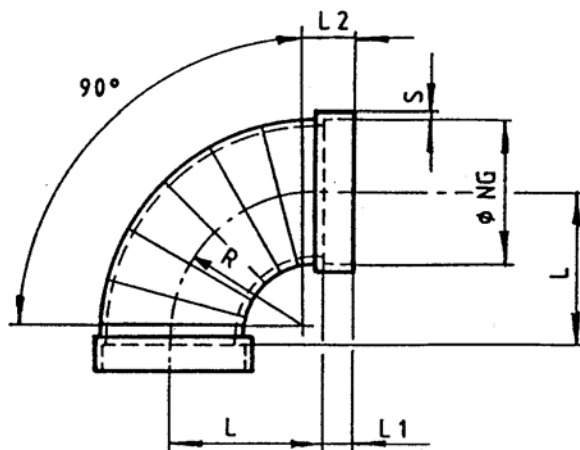
Massbild Nr. 1.011
Material PVC



| Ø NG | R | L1 | L2 | S | L90° | L45° |
|------|-----|----|----|---|------|------|
| 75 | 75 | 30 | 40 | 3 | 85 | 42 |
| 90 | 90 | 30 | 40 | 3 | 100 | 48 |
| 110 | 110 | 40 | 50 | 3 | 120 | 58 |
| 125 | 125 | 40 | 50 | 3 | 135 | 62 |
| 140 | 140 | 40 | 50 | 3 | 150 | 69 |
| 160 | 160 | 40 | 50 | 3 | 170 | 76 |
| 180 | 180 | 50 | 60 | 3 | 190 | 86 |
| 200 | 200 | 50 | 60 | 3 | 210 | 94 |
| 225 | 225 | 50 | 60 | 3 | 235 | 104 |
| 250 | 250 | 45 | 55 | 3 | 260 | 114 |
| 280 | 280 | 50 | 60 | 3 | 290 | 126 |
| 315 | 315 | 60 | 70 | 3 | 325 | 142 |
| 355 | 355 | 60 | 70 | 4 | 365 | 158 |
| 400 | 400 | 60 | 70 | 4 | 410 | 176 |

Rohrbogen „Beck“ 90°/45°

Massbild Nr. 1.012
Material PP / PPs / PE

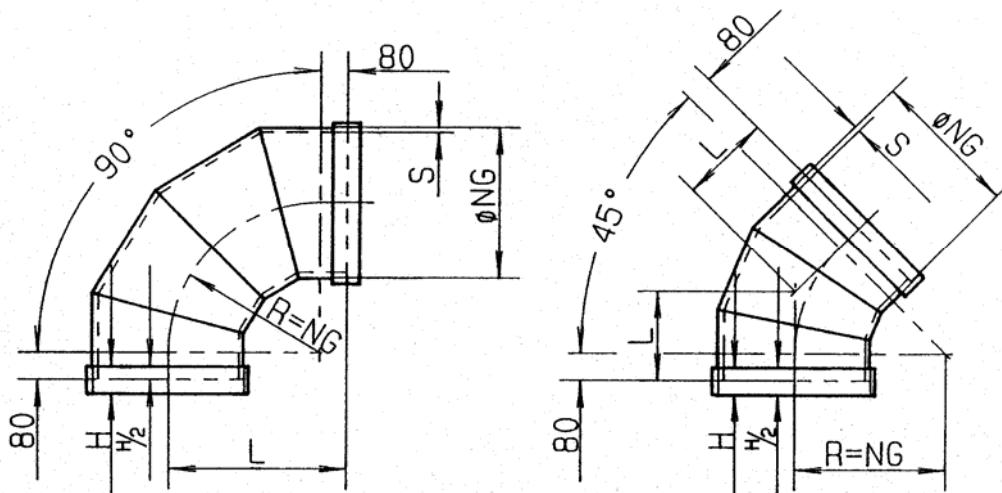


| Ø NG | R | L1 | L2 | S | L90° | L45° |
|------|-----|----|----|-----|------|------|
| 75 | 75 | 35 | 45 | 3 | 85 | 42 |
| 90 | 90 | 35 | 45 | 3 | 100 | 48 |
| 110 | 110 | 35 | 45 | 3 | 120 | 58 |
| 125 | 125 | 35 | 45 | 3 | 135 | 62 |
| 140 | 140 | 35 | 45 | 3 | 150 | 69 |
| 160 | 160 | 35 | 45 | 3 | 170 | 76 |
| 180 | 180 | 35 | 45 | 3 | 190 | 86 |
| 200 | 200 | 45 | 55 | 3 | 210 | 94 |
| 225 | 225 | 45 | 55 | 3.5 | 235 | 104 |
| 250 | 250 | 50 | 60 | 3.5 | 260 | 114 |
| 280 | 280 | 50 | 60 | 4 | 290 | 126 |
| 315 | 315 | 50 | 60 | 5 | 325 | 142 |
| 355 | 355 | 50 | 60 | 5 | 365 | 158 |
| 400 | 400 | 50 | 60 | 6 | 410 | 176 |

Rohrsegmentbogen 90°/45°

Massbild
Material

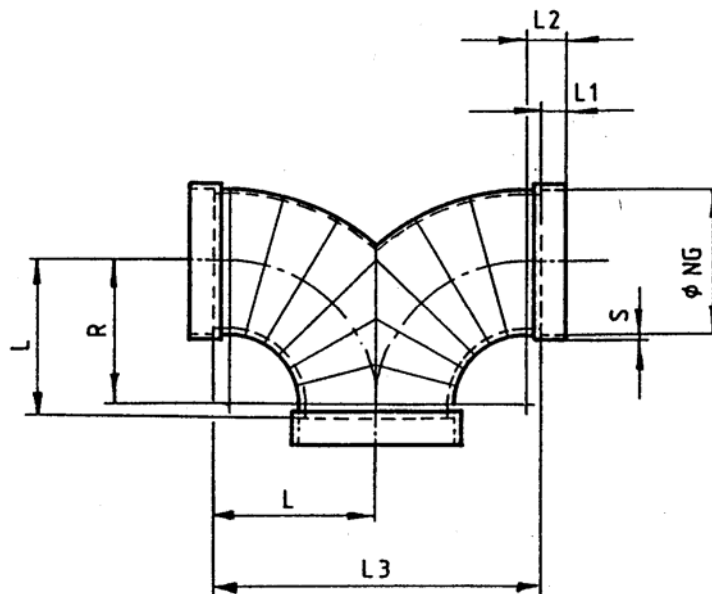
Nr. 1.013
PVC / PP / PPs / PE



| Ø NG | L 90° | L 45° | H | PVC S | PP S | PPs S | PE S |
|------|-------|-------|-----|----------|---------|----------|---------|
| 450 | 530 | 266 | 80 | 3.6 | 6.9 | 7 | 11 |
| 500 | 580 | 287 | 80 | 4 | 10 | 8 | 12.2 |
| 560 | 640 | 312 | 80 | 5 | 10 | 5 | 13.7 |
| 630 | 710 | 341 | 100 | 7.9 | 5 | 10 | 6 |
| 710 | 790 | 374 | 100 | 5.6 | 5 | 5 | 6 |
| 800 | 880 | 411 | 100 | 6.3 | 6 | 6 | 8 |
| 900 | 980 | 453 | 100 | 7.1 | 8 | 8 | 8 |
| 1000 | 1080 | 494 | 100 | 7.9 | 8 | 8 | 8 |
| 1120 | 1200 | 544 | 100 | 6 | 8 | 8 | 10 |
| 1250 | 1330 | 598 | 100 | 9.9 | 8 | 8 | 10 |

Hosenstück 90°

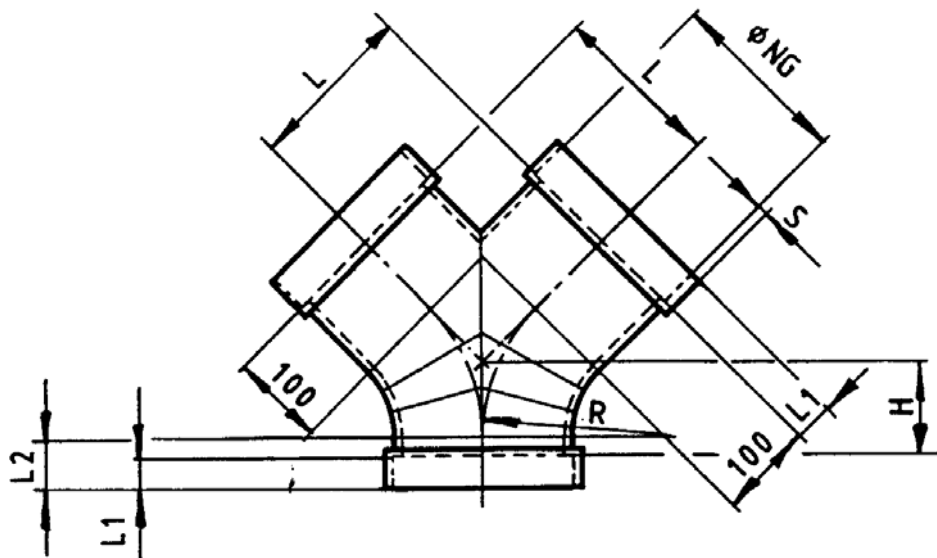
Massbild Nr. 1.014
 Material PVC / PP / PPs / PE



| Ø NG | R | L1 | L2 | L3 | L | S |
|------|-----|----|----|-----|-----|-----|
| 75 | 75 | 25 | 35 | 170 | 85 | 3 |
| 90 | 90 | 25 | 35 | 200 | 100 | 3 |
| 110 | 110 | 25 | 35 | 240 | 120 | 3 |
| 125 | 125 | 25 | 35 | 270 | 135 | 3 |
| 140 | 140 | 25 | 35 | 300 | 150 | 3 |
| 160 | 160 | 35 | 45 | 340 | 170 | 3 |
| 180 | 180 | 35 | 45 | 380 | 190 | 3 |
| 200 | 200 | 45 | 55 | 420 | 210 | 3 |
| 225 | 225 | 45 | 55 | 470 | 235 | 3.5 |
| 250 | 250 | 50 | 65 | 530 | 265 | 3.5 |
| 280 | 280 | 50 | 65 | 590 | 295 | 4 |
| 315 | 315 | 50 | 65 | 660 | 330 | 5 |
| 355 | 355 | 50 | 65 | 740 | 370 | 5 |
| 400 | 400 | 50 | 65 | 830 | 415 | 6 |

Hosenstück 45°

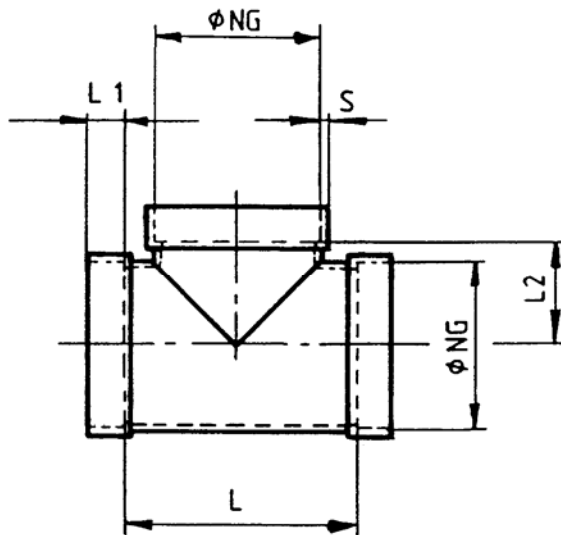
Massbild Nr. 1.015
 Material PVC / PP / PPs / PE



| Ø NG | R | L1 | L2 | H | L | S |
|------|-----|----|----|-----|-----|-----|
| 75 | 75 | 25 | 35 | 41 | 131 | 3 |
| 90 | 90 | 25 | 35 | 47 | 137 | 3 |
| 110 | 110 | 25 | 35 | 56 | 147 | 3 |
| 125 | 125 | 25 | 35 | 62 | 152 | 3 |
| 140 | 140 | 25 | 35 | 68 | 158 | 3 |
| 160 | 160 | 35 | 45 | 77 | 167 | 3 |
| 180 | 180 | 35 | 45 | 85 | 175 | 3 |
| 200 | 200 | 45 | 55 | 93 | 183 | 3 |
| 225 | 225 | 45 | 55 | 103 | 193 | 3.5 |
| 250 | 250 | 50 | 65 | 118 | 203 | 3.5 |
| 280 | 280 | 50 | 65 | 132 | 217 | 4 |
| 315 | 315 | 50 | 65 | 181 | 231 | 5 |
| 355 | 355 | 50 | 65 | 163 | 248 | 5 |
| 400 | 400 | 50 | 65 | 188 | 266 | 6 |

T-Stück 90° egal

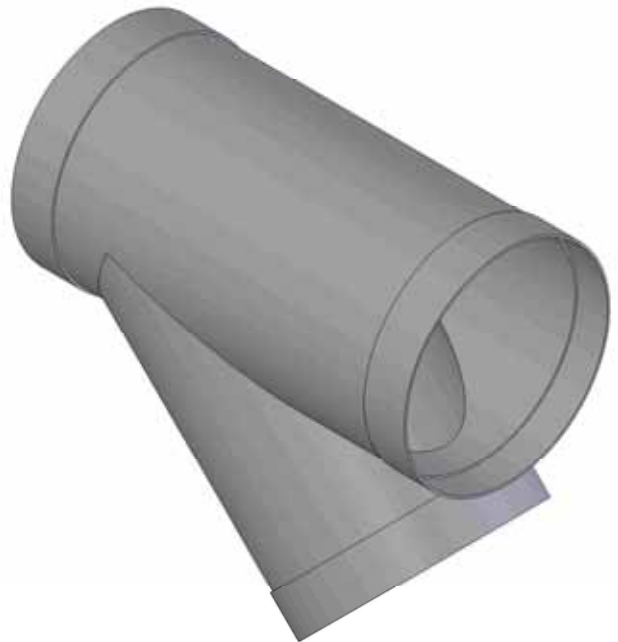
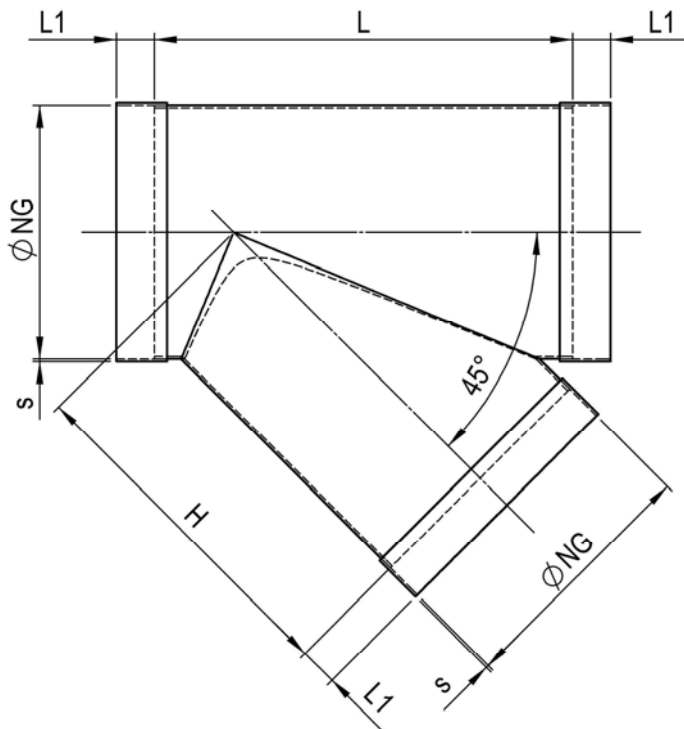
Material PVC / PP / PPs / PE / PPs-el



| Ø NG | PVC / PP / PE | | PPs | | PVC | PP | PPs | PE |
|------|---------------|-----|-----|-----|-----|-----|-----|-----|
| | L | L2 | L | L2 | S | S | S | S |
| 75 | 175 | 95 | 175 | 90 | 1.8 | 1.9 | 3 | 2 |
| 90 | 190 | 105 | 190 | 95 | 1.8 | 2.2 | 3 | 2.2 |
| 110 | 230 | 115 | 130 | 65 | 1.8 | 2.7 | 3 | 2.7 |
| 125 | 245 | 125 | 180 | 90 | 1.8 | 3.1 | 3 | 3.1 |
| 140 | 260 | 130 | 180 | 90 | 1.8 | 3.5 | 3 | 3.5 |
| 160 | 280 | 140 | 230 | 115 | 1.8 | 3.9 | 3 | 4 |
| 180 | 300 | 150 | 280 | 140 | 1.8 | 4.4 | 3 | 4.4 |
| 200 | 320 | 160 | 270 | 135 | 1.8 | 4.9 | 3 | 4.9 |
| 225 | 345 | 175 | 310 | 155 | 1.8 | 5.5 | 3.5 | 5.5 |
| 250 | 390 | 195 | 310 | 155 | 2.0 | 6.1 | 3.5 | 6.1 |
| 280 | 420 | 210 | 360 | 180 | 2.3 | 6.9 | 4 | 7 |
| 315 | 455 | 230 | 420 | 210 | 2.5 | 7.7 | 5 | 7.7 |
| 355 | 495 | 250 | 460 | 230 | 2.9 | 6 | 5 | 8.7 |
| 400 | 540 | 270 | 490 | 245 | 3.2 | 6 | 6 | 9.8 |

T-Stück 45° egal

Material PVC / PP / PPs / PE / PPs-el

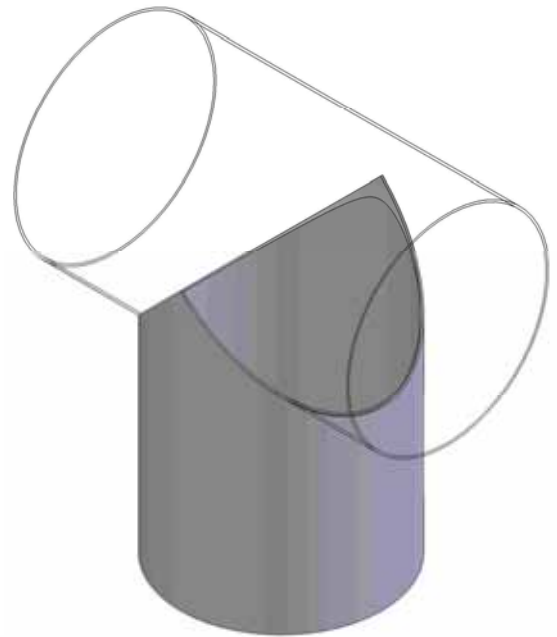
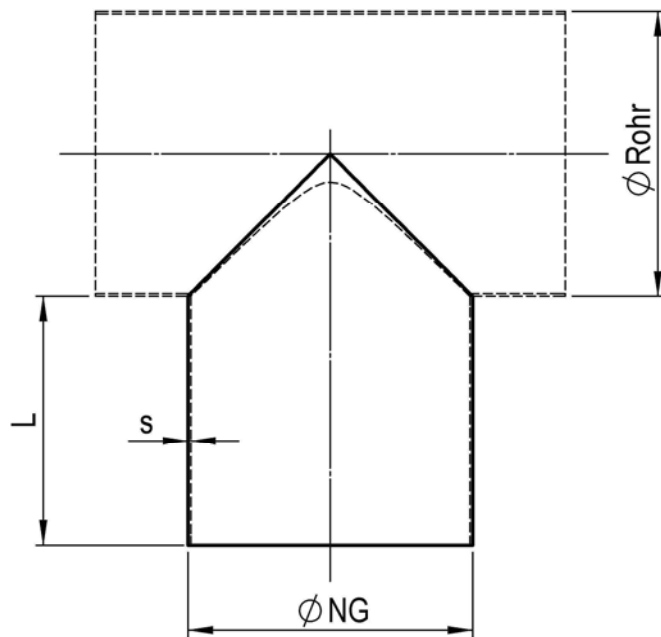


| Ø D | PVC / PP / PPs / PE | | |
|-----|---------------------|-----|----|
| | L | H | L1 |
| 50 | 85 | 70 | 35 |
| 63 | 110 | 90 | 35 |
| 75 | 130 | 105 | 35 |
| 90 | 150 | 125 | 35 |
| 110 | 185 | 150 | 40 |
| 125 | 210 | 175 | 40 |
| 140 | 235 | 195 | 40 |
| 160 | 265 | 220 | 40 |
| 180 | 295 | 250 | 50 |
| 200 | 330 | 275 | 50 |
| 225 | 375 | 310 | 50 |
| 250 | 415 | 345 | 50 |
| 280 | 465 | 385 | 50 |
| 315 | 520 | 435 | 50 |
| 355 | 585 | 485 | 50 |
| 400 | 660 | 550 | 60 |

Sattelstutzen 90°

Durchmesser 63, 75, 90, 110, 125, 140, 160, 180, 200, 225, 250, 280, 315, 355, 400,
450, 500, 560, 600, 630, 710, 800, 900, 1000, 1120, 1250

Material PVC / PP / PPs / PE / PPs-el



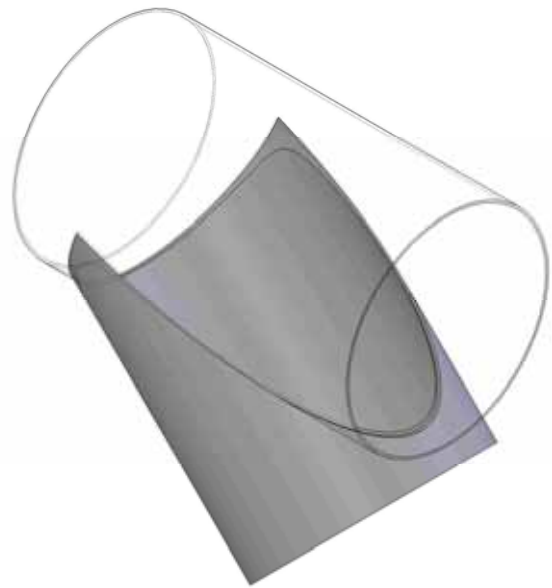
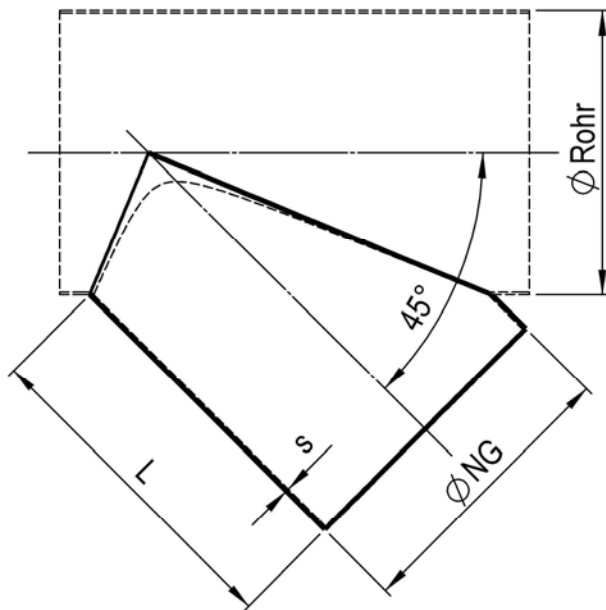
L = nach Angabe

Ø Rohr = nach Angabe

Sattelstutzen 45°

Durchmesser 63, 75, 90, 110, 125, 140, 160, 180, 200, 225, 250, 280, 315, 355, 400,
450, 500, 560, 600, 630, 710, 800, 900, 1000, 1120, 1250

Material PVC / PP / PPs / PE



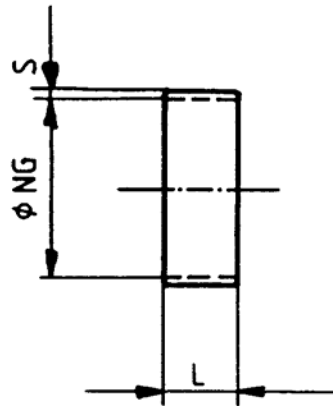
L = nach Angabe

Ø Rohr = nach Angabe

Schiebemuffe rund

Massbild
Material

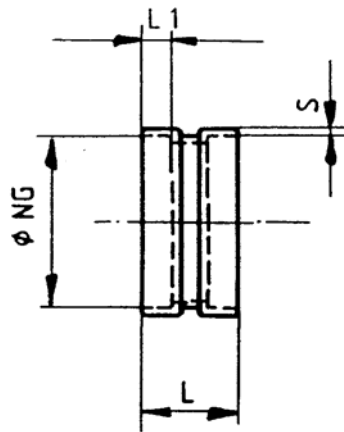
Nr. 1.017
PVC / PP / PPs / PE



| Ø NG | L | PVC S | PP S | PPs S | PE S |
|------|-----|----------|---------|----------|---------|
| 110 | 60 | 1.8 | 2.7 | 3 | 2.7 |
| 125 | 60 | 1.8 | 3.1 | 3 | 3.1 |
| 140 | 60 | 1.8 | 3.5 | 3 | 3.5 |
| 160 | 60 | 1.8 | 3.9 | 3 | 4 |
| 180 | 60 | 1.8 | 4.4 | 3 | 4.4 |
| 200 | 60 | 1.8 | 4.9 | 3 | 4.9 |
| 225 | 60 | 1.8 | 5.5 | 3 | 5.5 |
| 250 | 80 | 2.0 | 6.1 | 3 | 6.1 |
| 280 | 80 | 2.3 | 6.9 | 3 | 7 |
| 315 | 80 | 2.5 | 4 | 4 | 4 |
| 355 | 80 | 4 | 4 | 4 | 4 |
| 400 | 80 | 4 | 4 | 4 | 4 |
| 450 | 80 | 4 | 4 | 4 | 4 |
| 500 | 80 | 4 | 5 | 5 | 5 |
| 560 | 80 | 4 | 5 | 5 | 5 |
| 630 | 100 | 5 | 5 | 5 | 5 |
| 710 | 100 | 5 | 5 | 5 | 5 |
| 800 | 100 | 5 | 5 | 5 | 5 |
| 900 | 100 | 5 | 5 | 5 | 5 |
| 1000 | 100 | 5 | 5 | 5 | 5 |
| 1120 | 100 | 5 | 5 | 5 | 5 |
| 1250 | 100 | 5 | 5 | 5 | 5 |

Doppelmuffe „Beck“

Massbild Nr. 1.018
Material PVC / PP / PP_s / PE

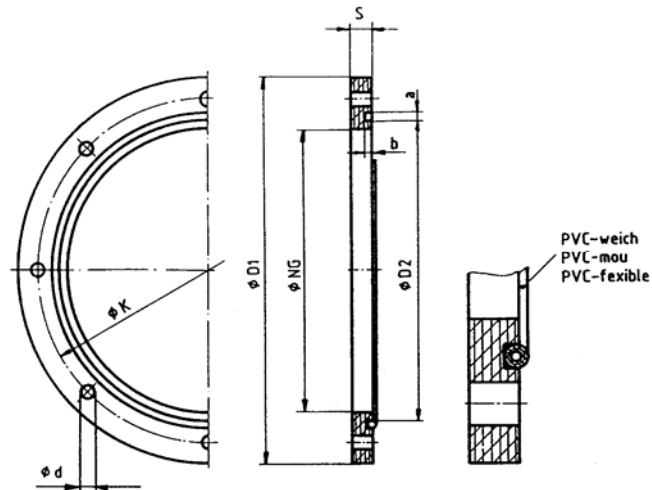


| Ø NG | L | PVC | | PP, PP _s , PE | | |
|------|-----|-----|---|--------------------------|----|---|
| | | L1 | S | L | L2 | S |
| 75 | 70 | 30 | 3 | 130 | 34 | 3 |
| 90 | 70 | 30 | 3 | 155 | 40 | 3 |
| 110 | 70 | 30 | 3 | 155 | 40 | 3 |
| 125 | 70 | 30 | 3 | 155 | 40 | 3 |
| 140 | 70 | 30 | 3 | 155 | 40 | 3 |
| 160 | 90 | 40 | 3 | 155 | 40 | 3 |
| 180 | 90 | 40 | 3 | 150 | 40 | 3 |
| 200 | 110 | 50 | 3 | 170 | 50 | 3 |
| 225 | 110 | 50 | 3 | 170 | 50 | 3 |
| 250 | 110 | 50 | 3 | 175 | 50 | 3 |
| 280 | 110 | 50 | 3 | 175 | 50 | 3 |
| 315 | 130 | 60 | 3 | 175 | 50 | 3 |
| 355 | 130 | 60 | 3 | 160 | 50 | 5 |
| 400 | 130 | 60 | 3 | 160 | 50 | 5 |

Flansch rund Colasit-Norm

Massbild
Material

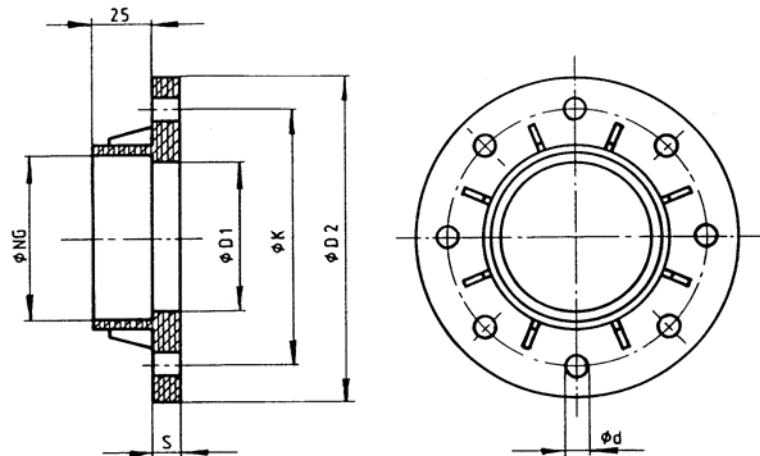
Nr. 1.020
PVC / PP / PPs / PE



| Ø NG | Ø D1 | S | Ø K | Ø d | n | Ø D2 | a | b |
|------|------|----|------|-----|----|------|---|---|
| 63 | 120 | 10 | 95 | 9 | 6 | 72 | 5 | 3 |
| 75 | 135 | 10 | 110 | 9 | 6 | 85 | 5 | 3 |
| 90 | 150 | 10 | 125 | 9 | 6 | 100 | 5 | 3 |
| 110 | 170 | 12 | 145 | 9 | 6 | 120 | 5 | 3 |
| 125 | 185 | 12 | 160 | 9 | 6 | 135 | 5 | 3 |
| 140 | 200 | 12 | 175 | 9 | 8 | 150 | 5 | 3 |
| 160 | 220 | 12 | 195 | 9 | 8 | 170 | 5 | 3 |
| 180 | 240 | 12 | 215 | 9 | 8 | 189 | 5 | 3 |
| 200 | 260 | 12 | 235 | 9 | 10 | 209 | 5 | 3 |
| 225 | 285 | 15 | 260 | 9 | 10 | 234 | 5 | 3 |
| 250 | 310 | 15 | 285 | 9 | 10 | 258 | 5 | 3 |
| 280 | 340 | 15 | 315 | 9 | 12 | 288 | 5 | 3 |
| 315 | 375 | 15 | 350 | 9 | 12 | 323 | 5 | 3 |
| 355 | 435 | 15 | 400 | 9.5 | 16 | 373 | 5 | 3 |
| 400 | 480 | 15 | 445 | 9.5 | 18 | 418 | 5 | 3 |
| 450 | 530 | 15 | 495 | 9.5 | 20 | 468 | 5 | 3 |
| 500 | 600 | 20 | 555 | 9.5 | 22 | 522 | 8 | 6 |
| 560 | 660 | 20 | 615 | 9.5 | 24 | 582 | 8 | 6 |
| 630 | 730 | 20 | 685 | 9.5 | 26 | 652 | 8 | 6 |
| 710 | 810 | 20 | 765 | 9.5 | 28 | 732 | 8 | 6 |
| 800 | 900 | 20 | 855 | 9.5 | 32 | 822 | 8 | 6 |
| 900 | 1000 | 20 | 955 | 9.5 | 36 | 922 | 8 | 6 |
| 1000 | 1100 | 20 | 1055 | 9.5 | 40 | 1022 | 8 | 6 |
| 1120 | 1220 | 20 | 1175 | 9.5 | 45 | 1142 | 8 | 6 |
| 1250 | 1350 | 20 | 1305 | 9.5 | 48 | 1272 | 8 | 6 |

Flansch rund „Beck“

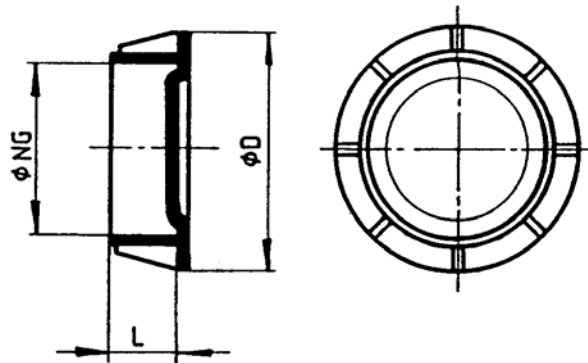
Massbild Nr. 1.021
 Material PVC / PP / PPs / PE



| Ø NG | Ø D1 | Ø D2 | S | Ø K | Ø d | n |
|------|------|------|----|-----|-----|----|
| 110 | 106 | 170 | 8 | 150 | 7 | 4 |
| 125 | 121 | 185 | 8 | 165 | 7 | 8 |
| 140 | 136 | 200 | 8 | 175 | 7 | 8 |
| 160 | 156 | 230 | 8 | 200 | 7 | 8 |
| 180 | 176 | 250 | 8 | 220 | 7 | 8 |
| 200 | 196 | 270 | 8 | 240 | 7 | 8 |
| 225 | 221 | 295 | 8 | 265 | 7 | 8 |
| 250 | 246 | 320 | 8 | 290 | 7 | 12 |
| 280 | 274 | 360 | 10 | 325 | 9 | 12 |
| 315 | 309 | 395 | 10 | 350 | 9 | 12 |
| 355 | 349 | 435 | 10 | 400 | 9 | 12 |
| 400 | 394 | 480 | 10 | 445 | 9 | 12 |

Enddeckel „Beck“

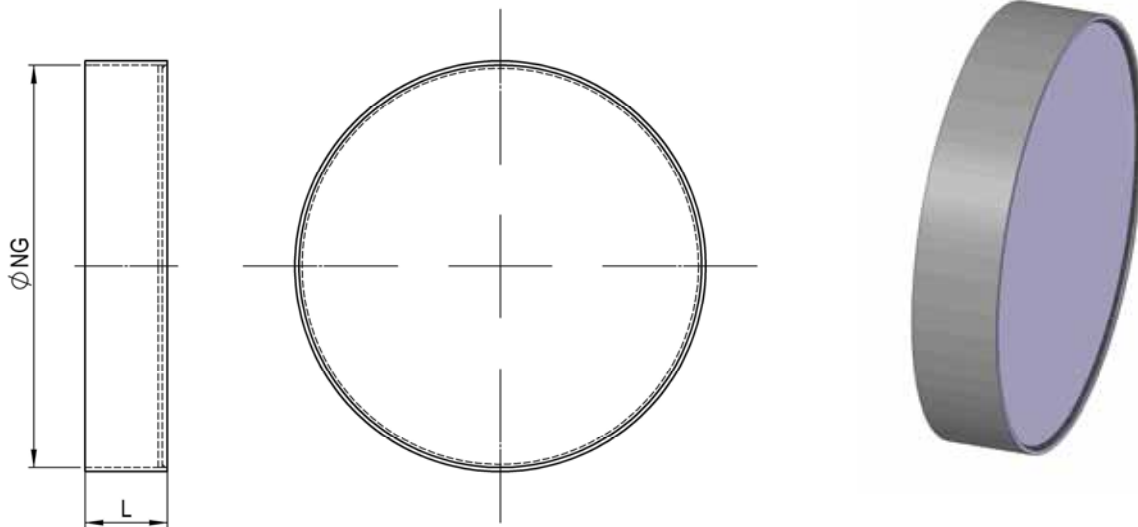
Massbild Nr. 1.022
 Material PVC / PP / PPs / PE



| ϕNG | ϕD | L |
|-----------|----------|----|
| 110 | 140 | 25 |
| 125 | 155 | 25 |
| 140 | 175 | 25 |
| 160 | 190 | 25 |
| 180 | 215 | 25 |
| 200 | 235 | 25 |
| 225 | 255 | 25 |
| 250 | 280 | 25 |
| 280 | 315 | 25 |
| 315 | 355 | 25 |
| 355 | 395 | 25 |
| 400 | 430 | 25 |

Muffen-Enddeckel

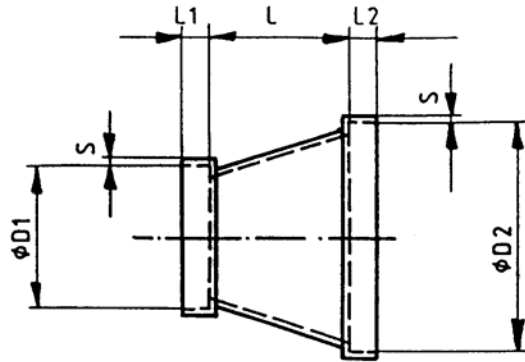
Material PVC / PP / PPs / PE



| Ø NG | L |
|------|-----|
| 63 | 60 |
| 75 | 60 |
| 90 | 60 |
| 110 | 60 |
| 125 | 60 |
| 140 | 60 |
| 160 | 60 |
| 180 | 60 |
| 200 | 60 |
| 225 | 60 |
| 250 | 80 |
| 280 | 80 |
| 315 | 80 |
| 355 | 80 |
| 400 | 80 |
| 450 | 80 |
| 500 | 80 |
| 560 | 80 |
| 630 | 100 |
| 710 | 100 |
| 800 | 100 |
| 900 | 100 |
| 1000 | 100 |
| 1120 | 100 |
| 1250 | 100 |

Reduktion rund

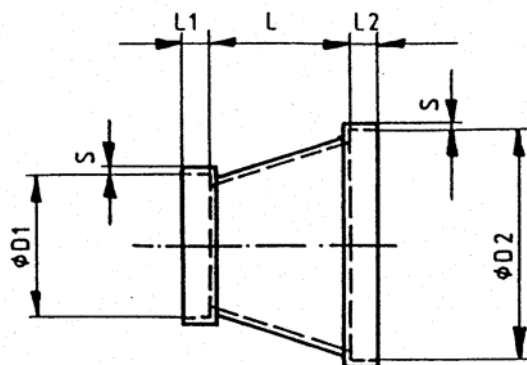
Massbild Nr. 1.024
Material PVC



| $\phi D1$ | $\phi D2$ | L | L 1 | L 2 | S |
|-----------|-----------|-----|-----|-----|---|
| 75 | 90 | 70 | 25 | 25 | 3 |
| 90 | 110 | 90 | 25 | 25 | 3 |
| 110 | 125 | 70 | 25 | 25 | 3 |
| 110 | 140 | 90 | 25 | 25 | 3 |
| 110 | 160 | 110 | 35 | 35 | 3 |
| 125 | 140 | 70 | 35 | 30 | 3 |
| 125 | 160 | 95 | 35 | 45 | 3 |
| 140 | 160 | 95 | 35 | 35 | 3 |
| 160 | 180 | 95 | 35 | 35 | 3 |
| 160 | 200 | 110 | 35 | 40 | 3 |
| 160 | 225 | 135 | 35 | 45 | 3 |
| 160 | 250 | 180 | 35 | 40 | 3 |
| 180 | 200 | 105 | 40 | 40 | 3 |
| 180 | 250 | 130 | 40 | 40 | 3 |
| 200 | 225 | 135 | 40 | 30 | 3 |
| 200 | 250 | 130 | 40 | 45 | 3 |
| 200 | 315 | 190 | 40 | 45 | 3 |
| 200 | 355 | 330 | 40 | 45 | 3 |
| 225 | 250 | 130 | 40 | 45 | 3 |
| 250 | 280 | 210 | 40 | 50 | 4 |
| 250 | 315 | 210 | 40 | 45 | 4 |
| 250 | 355 | 190 | 40 | 40 | 4 |
| 280 | 315 | 210 | 40 | 40 | 4 |
| 315 | 355 | 210 | 40 | 45 | 4 |
| 315 | 400 | 210 | 40 | 45 | 4 |
| 355 | 400 | 210 | 40 | 50 | 4 |

Reduktion rund

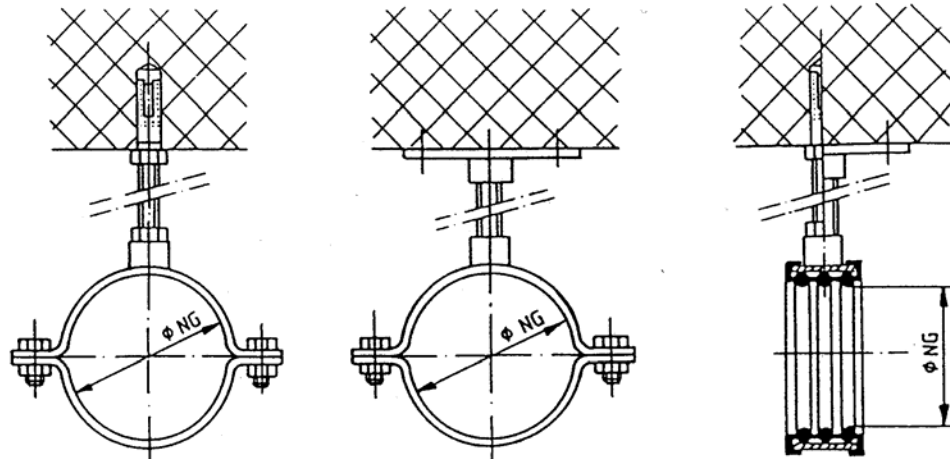
Massbild Nr. 1.025
Material PP / PPs / PE



| $\phi D1$ | $\phi D2$ | L | L 1 | L 2 | S |
|-----------|-----------|-----|-----|-----|---|
| 75 | 90 | 50 | 34 | 40 | 3 |
| 90 | 110 | 55 | 40 | 40 | 3 |
| 110 | 125 | 50 | 40 | 40 | 3 |
| 110 | 140 | 85 | 40 | 40 | 3 |
| 110 | 160 | 110 | 40 | 40 | 3 |
| 125 | 140 | 60 | 40 | 40 | 3 |
| 125 | 160 | 90 | 40 | 40 | 3 |
| 140 | 160 | 60 | 40 | 40 | 3 |
| 160 | 180 | 60 | 40 | 40 | 3 |
| 160 | 200 | 95 | 40 | 50 | 3 |
| 160 | 225 | 140 | 40 | 50 | 3 |
| 160 | 250 | 190 | 40 | 50 | 3 |
| 180 | 200 | 80 | 40 | 50 | 3 |
| 180 | 250 | 140 | 40 | 50 | 3 |
| 200 | 225 | 95 | 50 | 50 | 3 |
| 200 | 250 | 115 | 50 | 50 | 3 |
| 200 | 315 | 180 | 50 | 50 | 3 |
| 200 | 355 | 300 | 50 | 50 | 3 |
| 225 | 250 | 95 | 50 | 50 | 3 |
| 250 | 280 | 80 | 50 | 50 | 4 |
| 250 | 315 | 140 | 50 | 50 | 4 |
| 250 | 355 | 220 | 50 | 50 | 4 |
| 280 | 315 | 95 | 50 | 50 | 4 |
| 315 | 355 | 95 | 50 | 50 | 4 |
| 315 | 400 | 180 | 50 | 50 | 4 |
| 355 | 400 | 115 | 50 | 50 | 4 |

Rohrschelle und Grundplatte mit 3/4" Muffe

Massbild Nr. 1.030
 Material Stahl verzinkt oder rostfrei

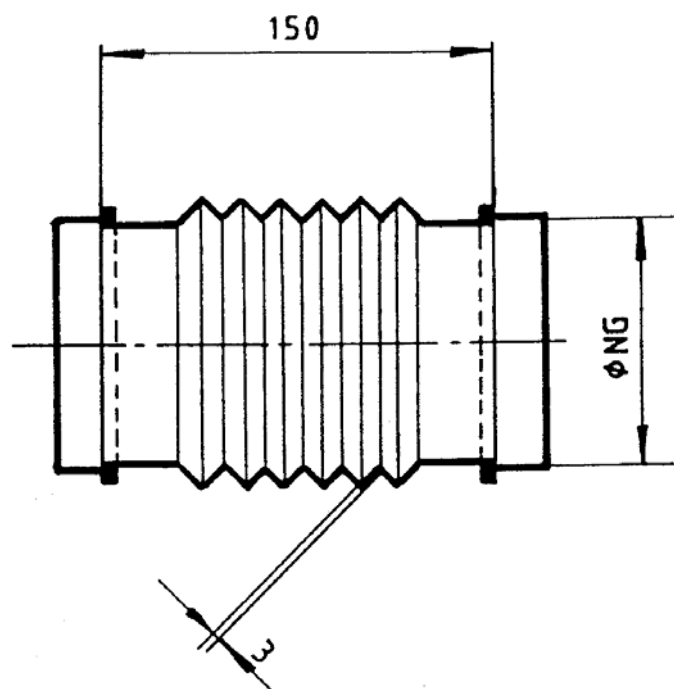


* lieferbar

| Ø NG | Stahl verzinkt | Rostfrei A2 | Schallschutz- einlage, verzinkt | Muffe 3/4" |
|------|----------------|-------------|------------------------------------|------------|
| 110 | * | * | * | * |
| 125 | * | * | * | * |
| 140 | * | * | * | * |
| 160 | * | * | * | * |
| 180 | * | * | * | * |
| 200 | * | * | * | * |
| 225 | * | * | * | * |
| 250 | * | * | * | * |
| 280 | * | * | * | * |
| 315 | * | * | * | * |
| 355 | * | * | * | * |
| 400 | * | * | * | * |
| 450 | * | * | * | * |
| 500 | * | * | * | * |
| 560 | * | * | * | * |
| 630 | * | * | * | * |
| 710 | * | * | * | * |
| 800 | * | * | * | * |
| 900 | * | * | * | * |
| 1000 | * | * | * | * |
| 1120 | * | * | * | * |
| 1250 | * | * | * | * |

Wellflex-Manschette Typ „Beck“

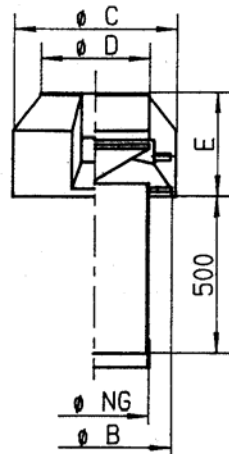
Massbild Nr. 1.023
Material PVC - weich



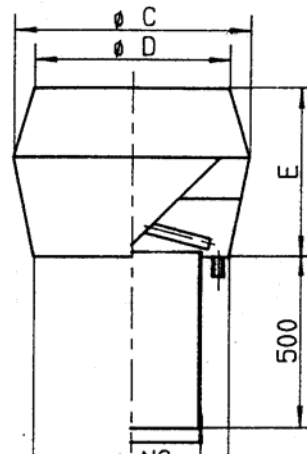
| $\varnothing NG$ |
|------------------|
| 110 |
| 125 |
| 140 |
| 160 |
| 180 |
| 200 |
| 225 |
| 250 |
| 280 |
| 315 |
| 355 |
| 400 |

Regenhut

Massbild Nr. 1.028
Material PVC / PP / PPs / PE



Ø NG 110-315

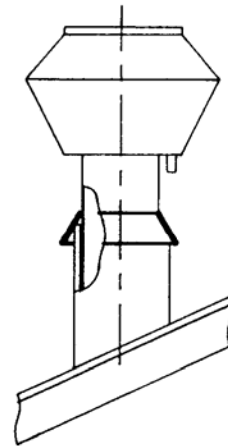
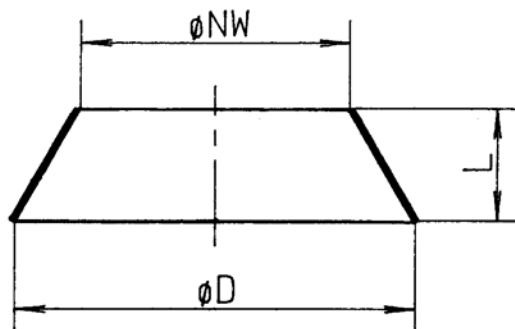


Ø NG 355-1250

| Ø NG | Ø B | Ø C | Ø D | E |
|------|------|------|------|------|
| 110 | 174 | 188 | 125 | 117 |
| 125 | 174 | 188 | 125 | 117 |
| 140 | 230 | 240 | 160 | 150 |
| 160 | 230 | 240 | 160 | 150 |
| 180 | 284 | 301 | 200 | 195 |
| 200 | 284 | 301 | 200 | 195 |
| 225 | 358 | 374 | 250 | 240 |
| 250 | 358 | 374 | 250 | 240 |
| 280 | 454 | 470 | 315 | 300 |
| 315 | 454 | 470 | 315 | 300 |
| 355 | 465 | 611 | 518 | 430 |
| 400 | 510 | 675 | 568 | 490 |
| 450 | 560 | 741 | 613 | 560 |
| 500 | 610 | 807 | 668 | 610 |
| 560 | 670 | 889 | 734 | 680 |
| 630 | 740 | 975 | 788 | 770 |
| 710 | 820 | 1087 | 862 | 900 |
| 800 | 910 | 1211 | 970 | 990 |
| 900 | 1010 | 1343 | 1076 | 1100 |
| 1000 | 1110 | 1475 | 1154 | 1260 |
| 1120 | 1230 | 1638 | 1242 | 1480 |
| 1250 | 1360 | 1811 | 1372 | 1640 |

Regenkragen rund

Massbild Nr. 1.029
Material PVC / PP / PPs / PE



| $\varnothing NW$ | $\varnothing D$ | L |
|------------------|-----------------|-----|
| 110 | 197 | 75 |
| 125 | 212 | 75 |
| 140 | 227 | 75 |
| 160 | 247 | 75 |
| 180 | 267 | 75 |
| 200 | 287 | 90 |
| 225 | 329 | 90 |
| 250 | 354 | 90 |
| 280 | 484 | 90 |
| 315 | 419 | 90 |
| 355 | 459 | 90 |
| 400 | 504 | 90 |
| 450 | 577 | 110 |
| 500 | 627 | 110 |
| 560 | 687 | 110 |
| 630 | 757 | 110 |
| 710 | 837 | 110 |
| 800 | 944 | 125 |
| 900 | 1044 | 125 |
| 1000 | 1144 | 125 |
| 1120 | 1264 | 125 |
| 1250 | 1394 | 125 |