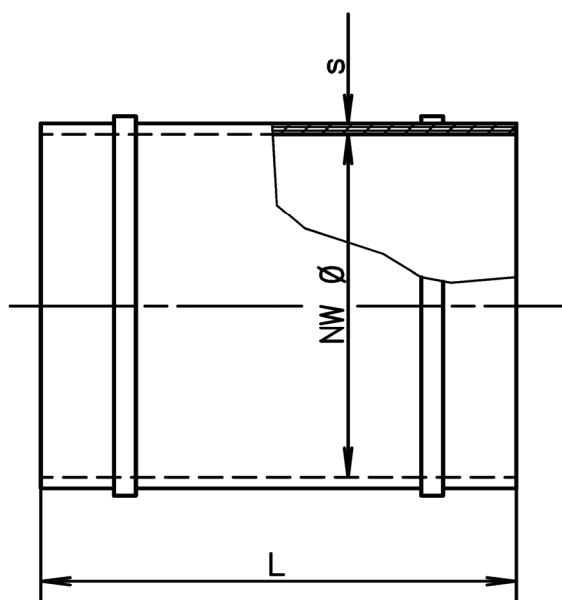
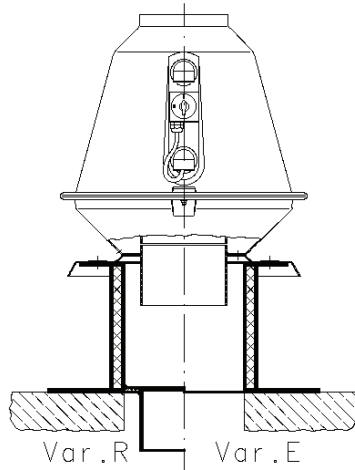


Sleeve PVC round with fixing bands, stainless

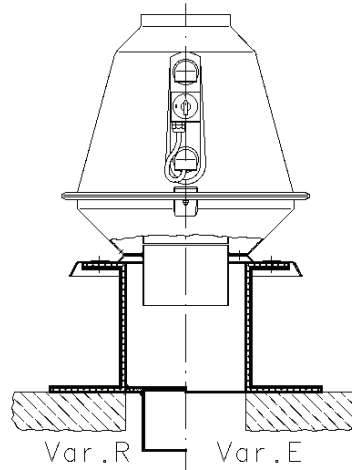
NW \varnothing	L	s
200	100	2
250	100	2
315	100	2

Roof base FRP, PPs

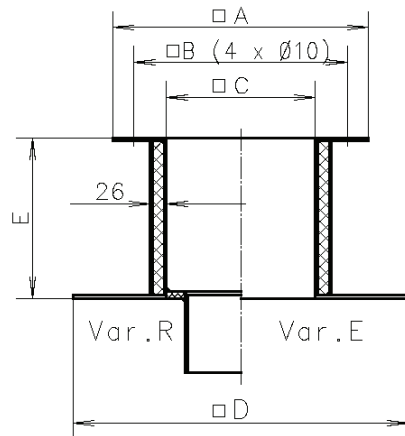
Roof base
in FRP
heat insulated



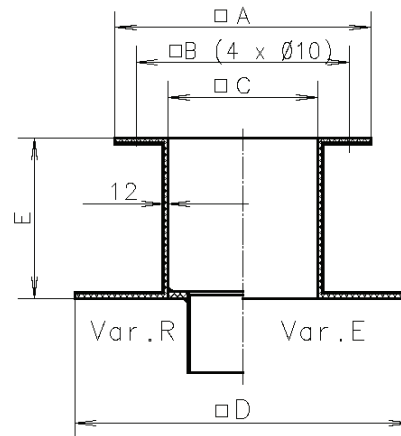
Roof base in PPs



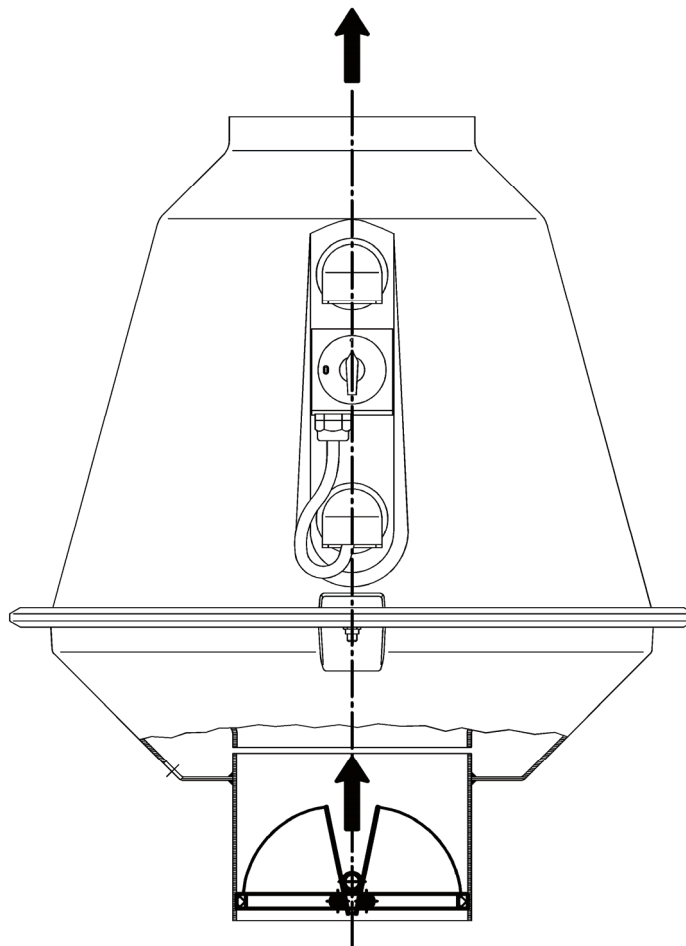
Heat conductivity
0,024 W/mK




Heat conductivity
0,22 W/mK



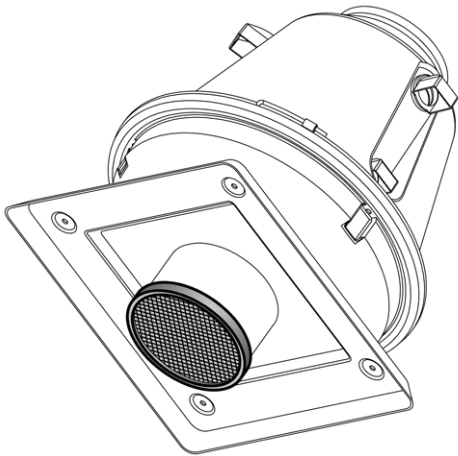
Fan Type CRDV	Measurements				
	A	B	C	D	E
200	480	400	280	630	300
250	520	435	315	670	300
315	630	520	400	750	300

Non-return damper

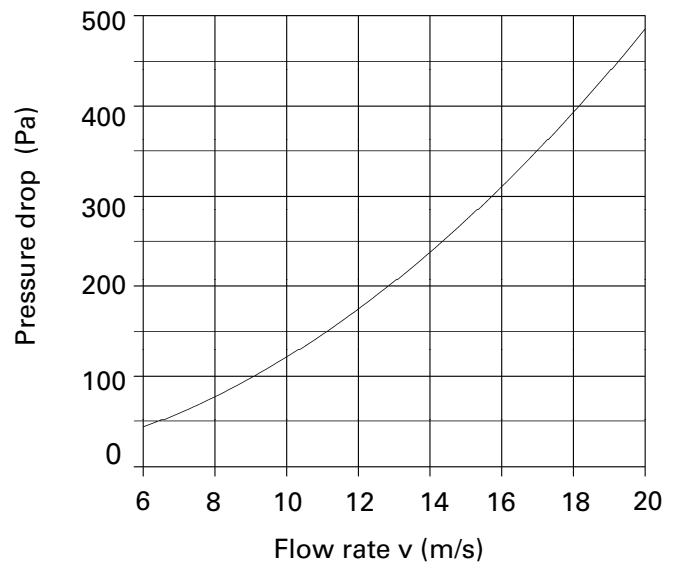
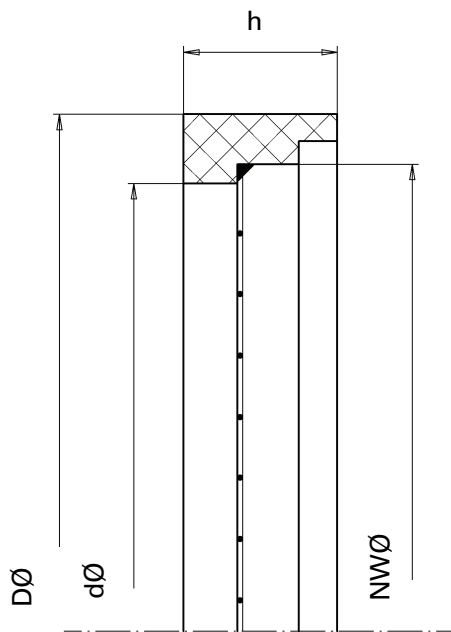
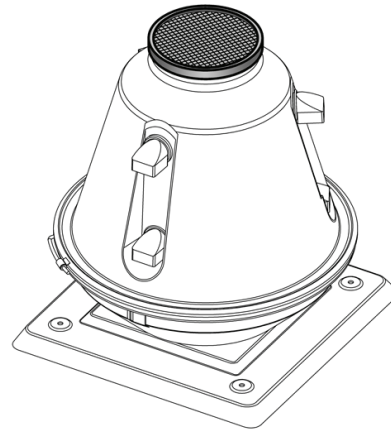
Protective grille CRDV 200/250/315

Material PPs-el 
 Wire Ø0.7mm hot-dip galvanised
 Pitch 8mm

Intake mesh



Outlet mesh



CRDV	NWØ	DØ	dØ	h
200	202	215	197	20
250	252	265	247	20
315	317	330	312	20