

### Speed control with variable-frequency inverter

Motor with variable-frequency inverter



- Type of protection: IP 66
- 0.37-7.5 kW
- Infinitely variable speed control with
  - potentiometer
  - External control signal
- Inputs:
  - 1x analogue 0...10V (0...24V)
  - 3x digital (configurable)
- Interface: RS-232

Variable-frequency inverter for cabinet mounting

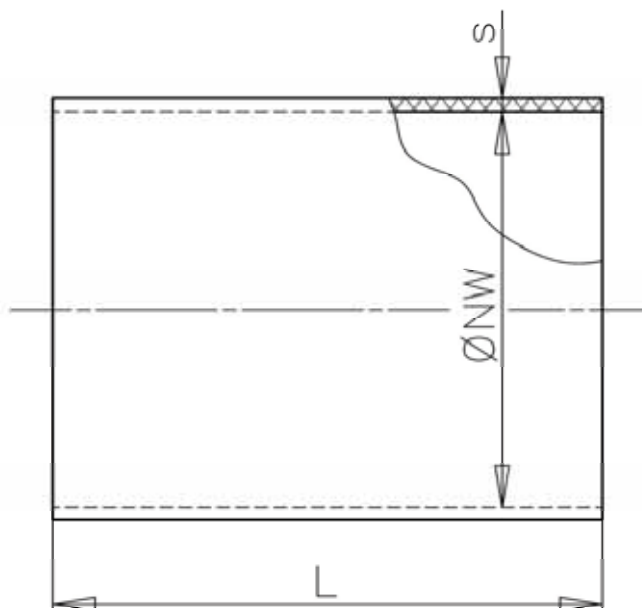
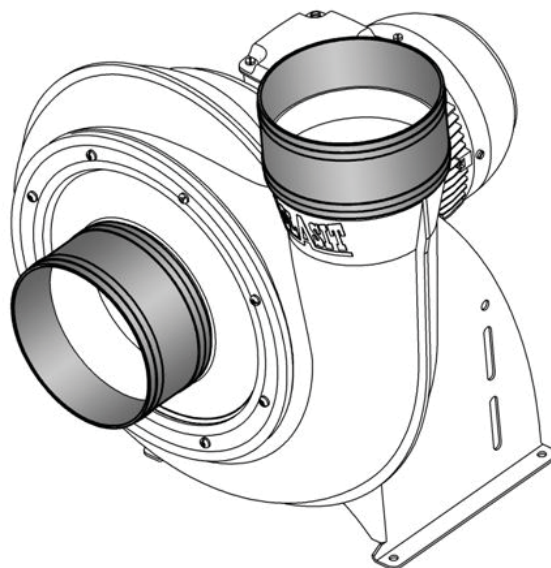


- Type of protection IP 20
- 0.25-7.5 kW
- Infinitely variable speed control with
  - integrated control panel
  - external control signal
- Inputs:
  - 1x analogue 0...10V
  - 4x digital (configurable)
- Interface: RS-232 (RS-485)



- Type of protection IP 20
- 11-200 kW
- Infinitely variable speed control with
  - integrated control panel
  - external control signal
- Inputs:
  - 2x analogue 0...10V
  - 6x digital (configurable)
- Interface: RS-232 (RS-485)

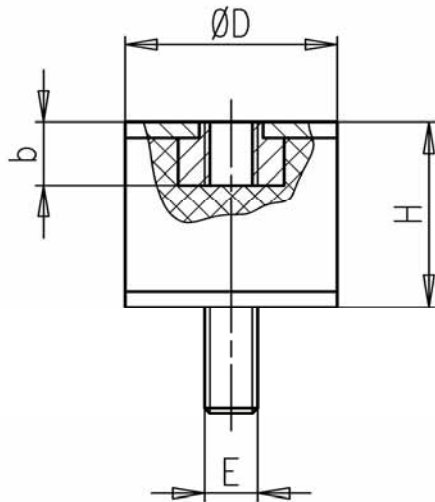
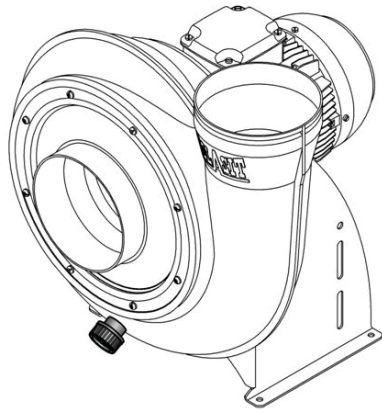
### Sleeve round with fixing bands, stainless



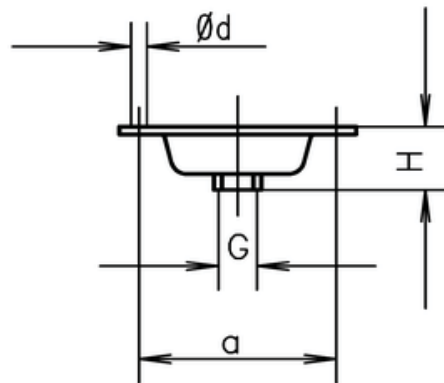
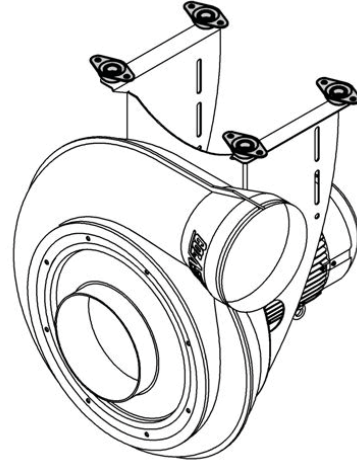
NW $\varnothing$	L	s
125-315	100	2
400	125	3

**Vibration absorbers for ground erection or ceiling suspension**

For ground erection



For ceiling suspension

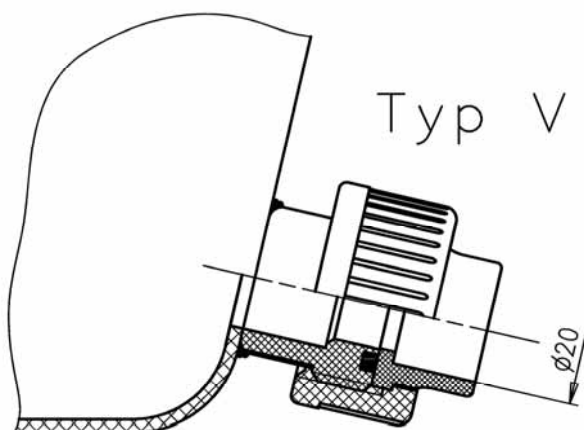
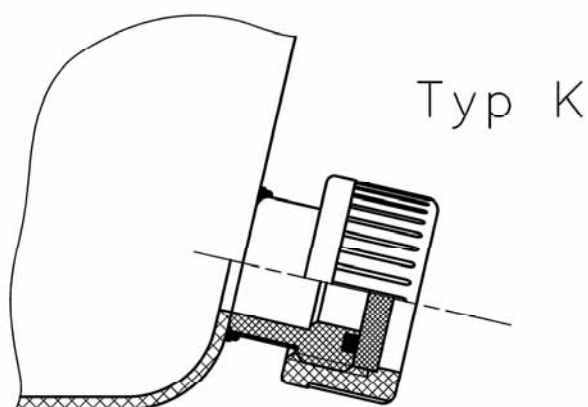
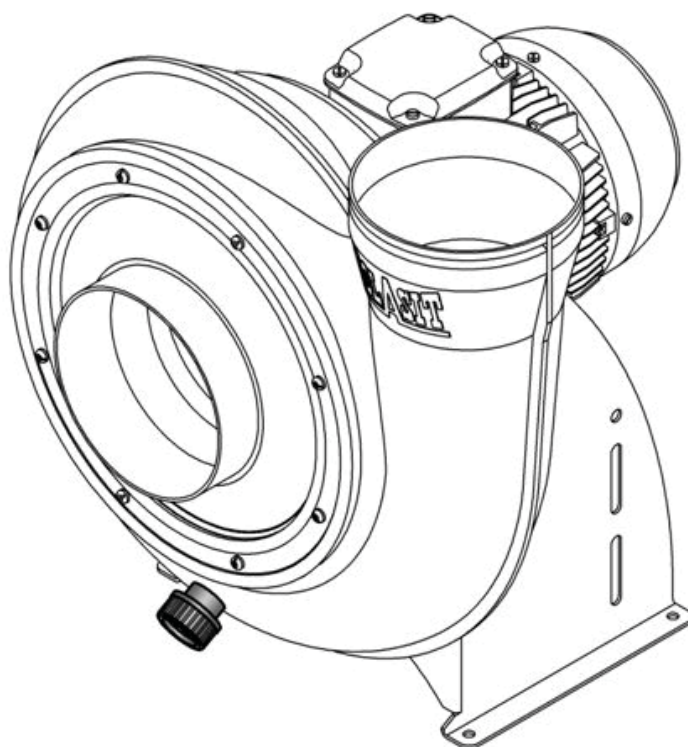


Vibration-absorbers Type	Measurements				
	D	H	E	I	b
V 8/30	30	30	M8	20	7
V 8/40	40	40	M8	23	7

Bell elements-Type	Measurements			
	H	G	a	d
G-E6	33	M6	58	6,5
E-E10	30	M10	85	10,5

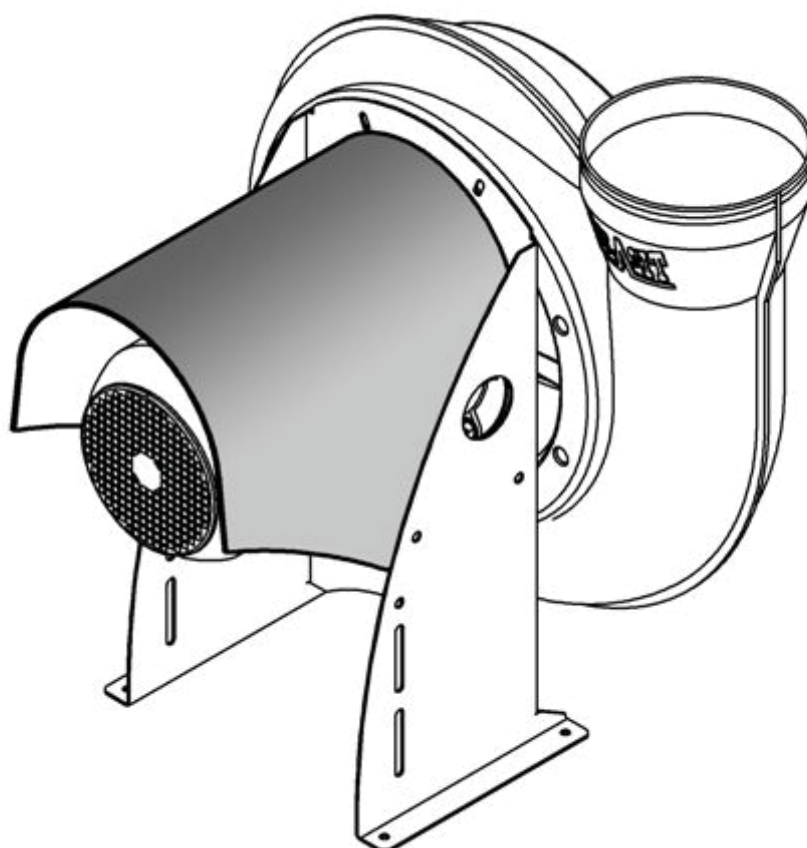
Fan Type	for ground erection	for ceiling suspension	Number of elements
CMV eco 125-200	V 8/30	G-E 6	4
CMV eco 225-400	V 8/40	G-E 10	4

**Drain**

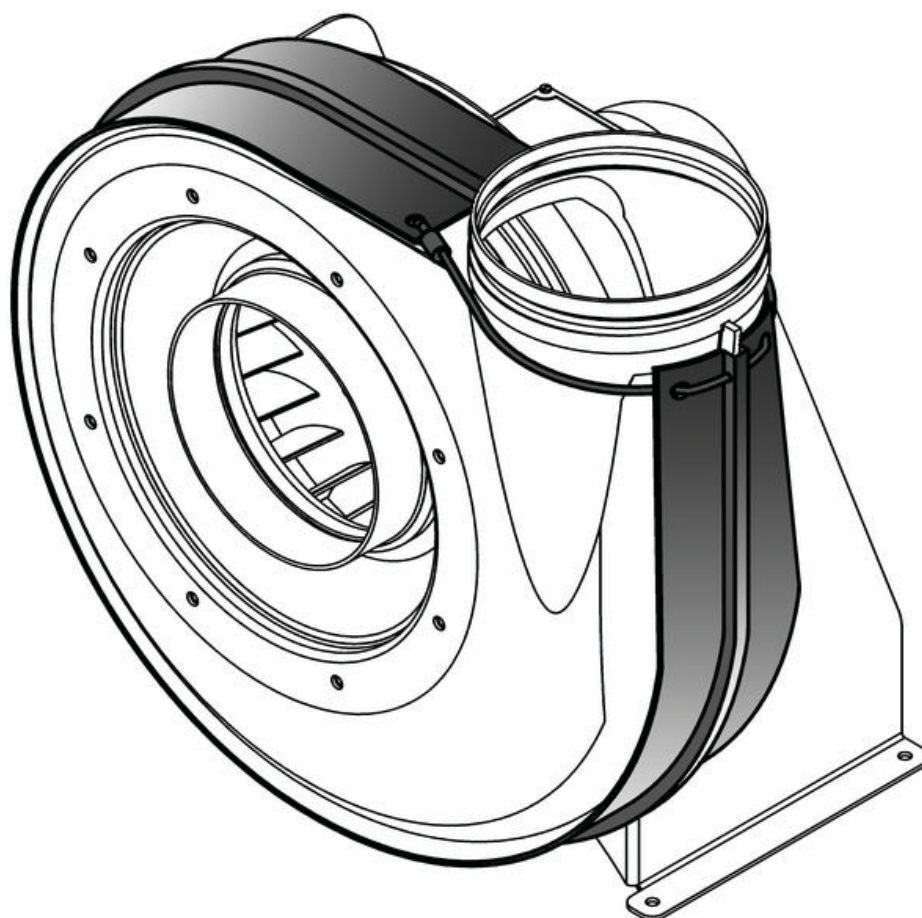


Fan Type	with cap	with fitting
CMV eco 125-400	Typ K	Typ V

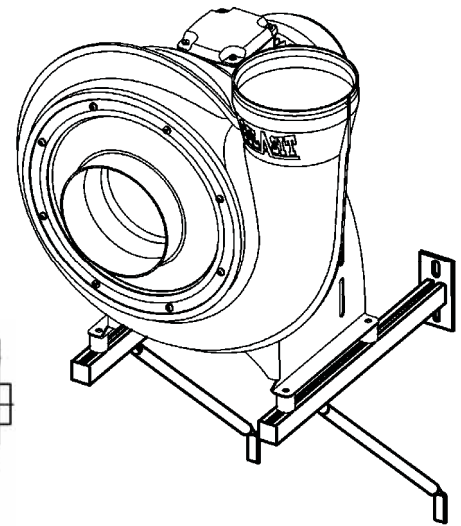
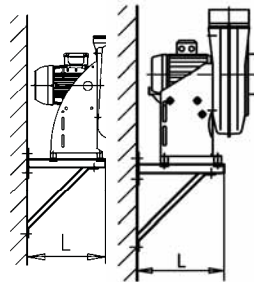
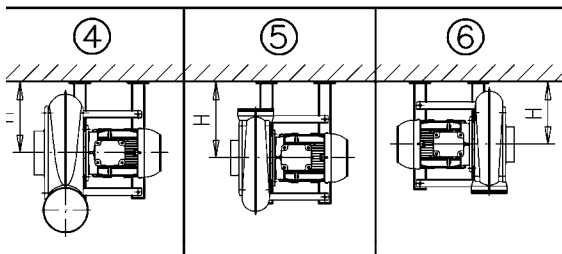
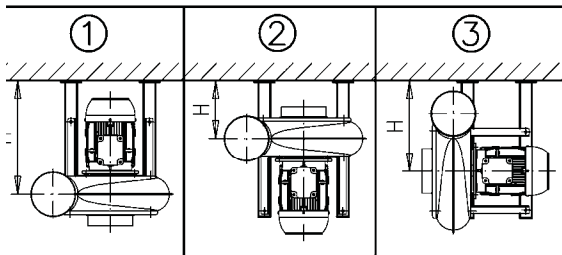
**Motor cover**



**Splinter protection**



**Wall bracket**

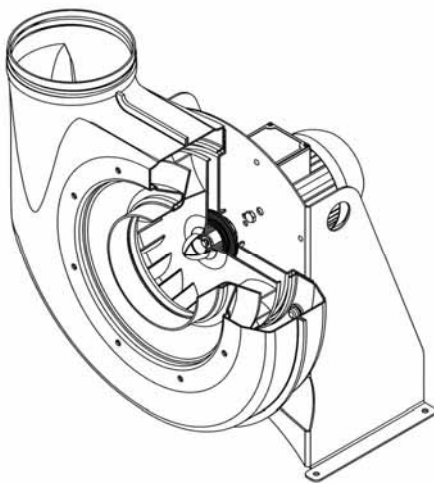
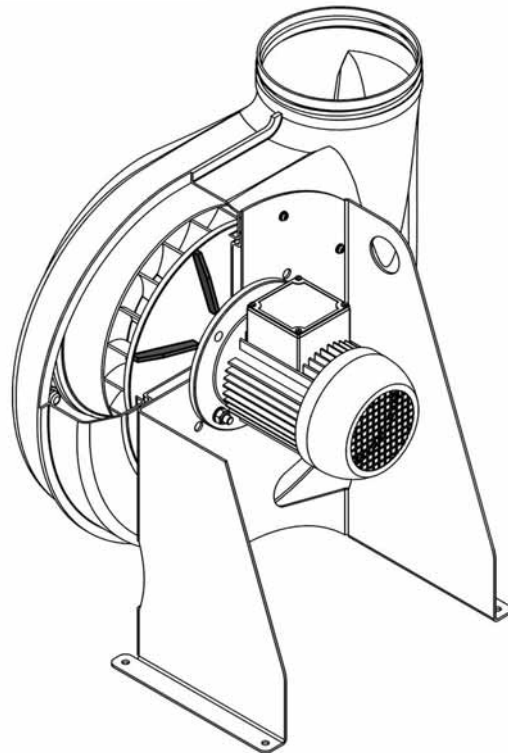


**Mountingposition**

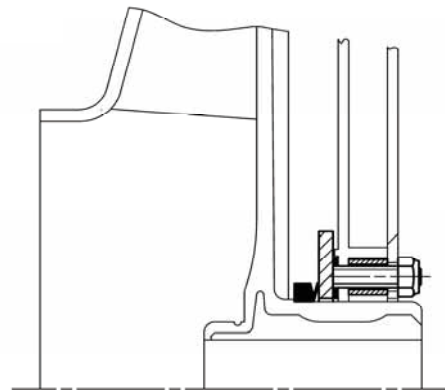
		1	2	3	4	5	6
CMV eco 125	L	500	500	500	500	500	500
	H	420	180	310	270	300	290
CMV eco 160	L	500	500	500	500	500	500
	H	430	180	330	290	300	300
CMV eco 200	L	500	750	750	500	750	750
	H	490	290	470	290	440	440
CMV eco 250	L	750	750	750	750	750	750
	H	690	290	490	420	450	450
CMV eco 315	L	750	750	1000	750	1000	1000
	H	710	280	640	430	580	600
CMV eco 400	L	750	1000	1000	1000	1000	1000
	H	790	400	670	560	580	610

**Hub seal**

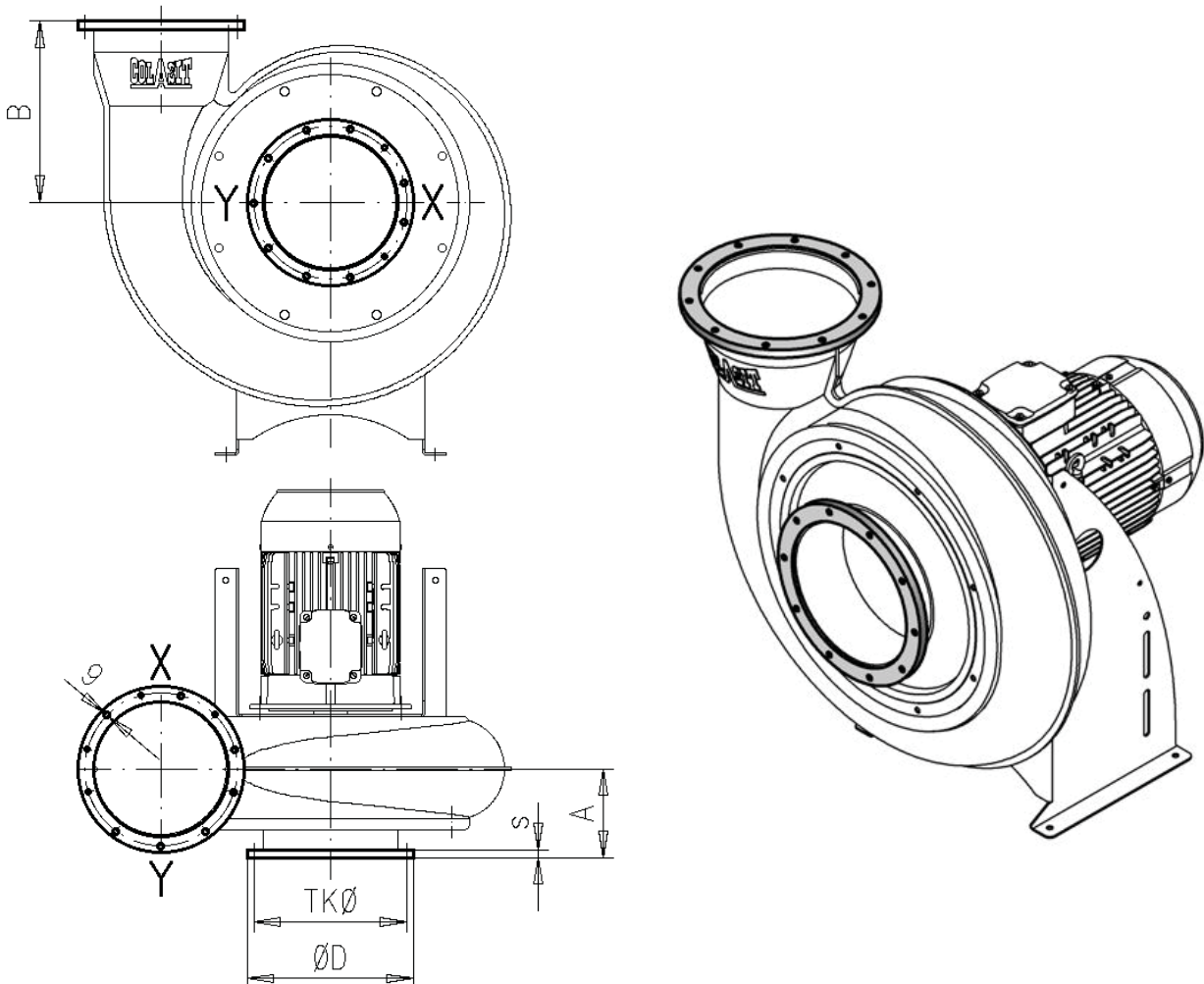
Back plated impeller



V-Ring



### Connection piece



	A	B	Ø D	Tk Ø	s	Numb. Ø9	Master cage for holes
CMV eco 125	125	205	185	160	12	6	Y
CMV eco 160	125	230	220	195	12	8	X
CMV eco 200	140	280	260	235	12	10	Y
CMV eco 250	160	335	310	285	15	10	Y
CMV eco 315	200	405	375	350	15	12	X
CMV eco 400	225	430	480	445	15	18	Y