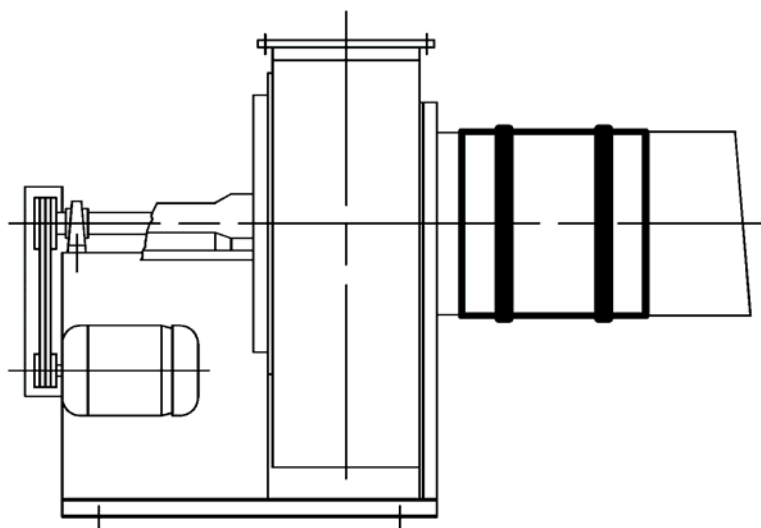
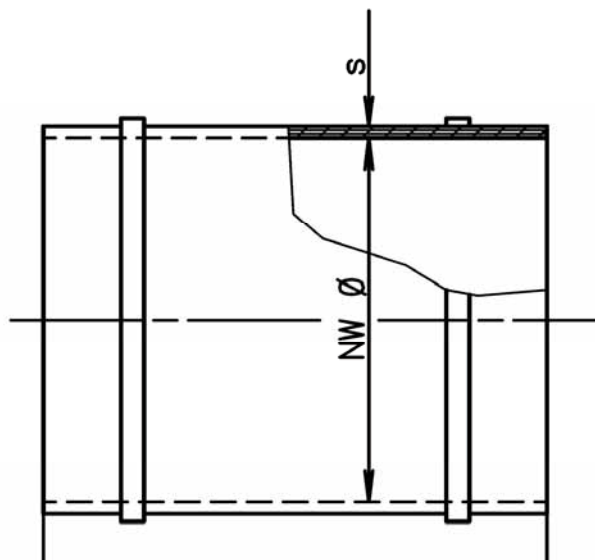
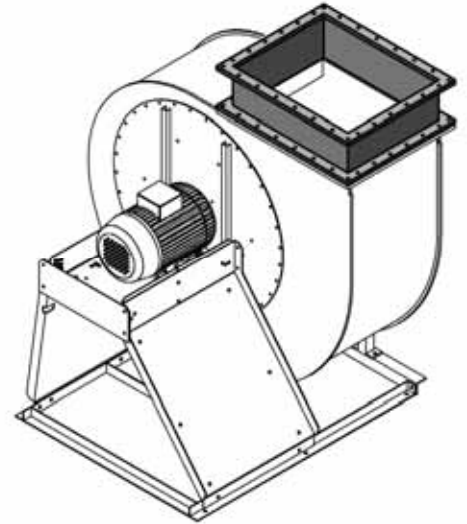
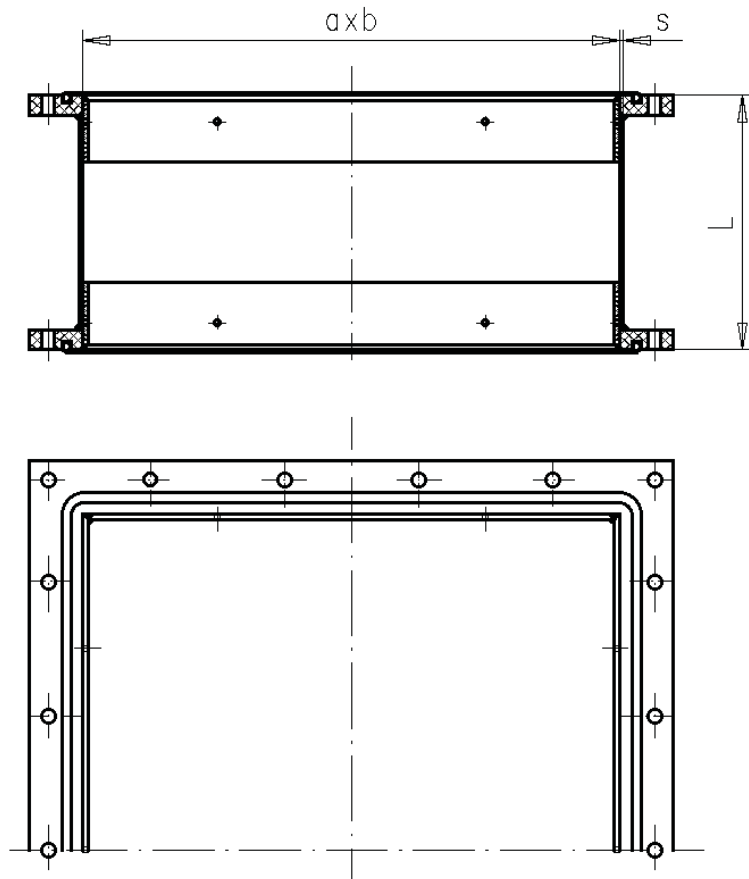


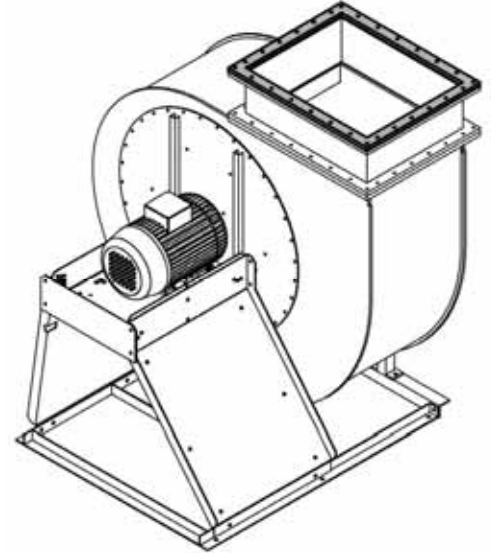
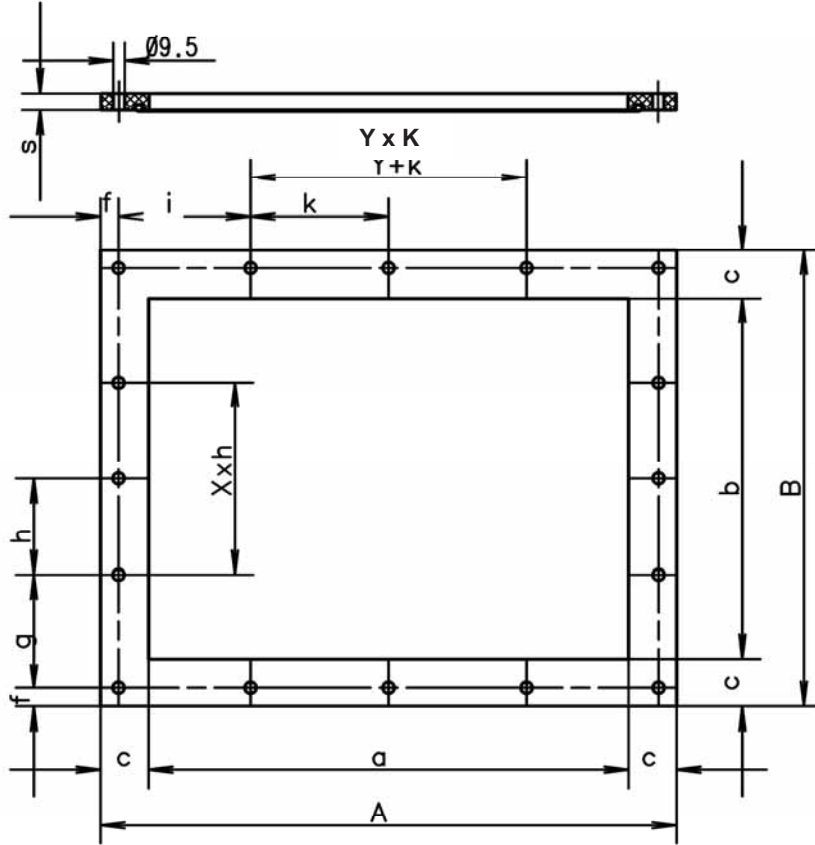
**Sleeve round with fixing bands, stainless**


| NW Ø     | L   | s |
|----------|-----|---|
| 450-500  | 160 | 3 |
| 560-710  | 200 | 3 |
| 800-1250 | 250 | 3 |

**Sleeve rectangular with flanges on both sides (PVC)**


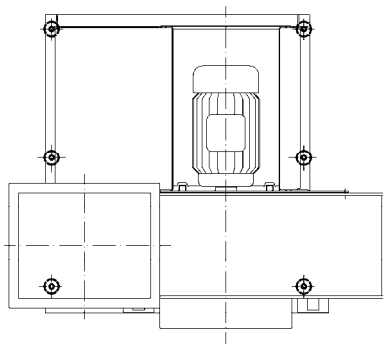
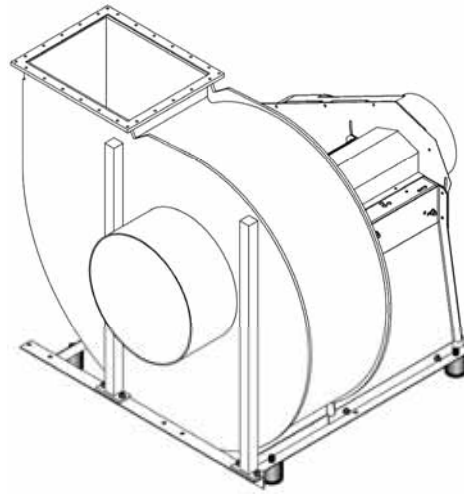
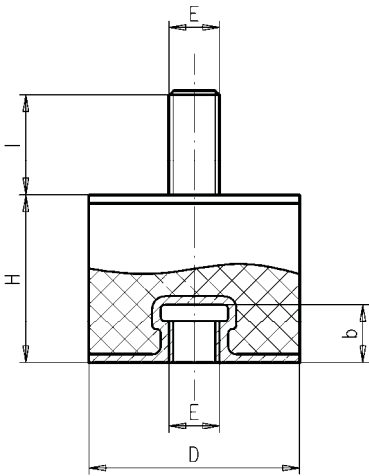
| Fan Type<br>CMMV | a x b       | Measurements |   |
|------------------|-------------|--------------|---|
|                  |             | L            | S |
| 450              | 450 x 355   | 190          | 3 |
| 500              | 500 x 400   | 190          | 3 |
| 560              | 560 x 450   | 240          | 3 |
| 630              | 630 x 500   | 240          | 3 |
| 710              | 710 x 560   | 240          | 3 |
| 800              | 800 x 630   | 290          | 3 |
| 900              | 900 x 710   | 290          | 3 |
| 1000             | 1000 x 800  | 290          | 3 |
| 1120             | 1120 x 900  | 290          | 3 |
| 1250             | 1250 x 1000 | 290          | 3 |

**Flange rectangular PP / PPs / PPs-el / PVC / PE /PVC**

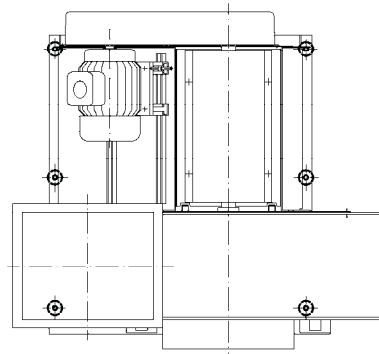


| Fan Type<br>CMMV | Measurements |      |      |      |    |    |    |      |       |      |        |    |
|------------------|--------------|------|------|------|----|----|----|------|-------|------|--------|----|
|                  | A            | B    | a    | b    | c  | s  | f  | g    | X x h | i    | Y x k  | n  |
| 450              | 530          | 435  | 450  | 355  | 40 | 15 | 14 | 53,5 | 3x100 | 51   | 4x100  | 22 |
| 500              | 580          | 480  | 500  | 400  | 40 | 15 | 14 | 76   | 3x100 | 76   | 4x100  | 22 |
| 560              | 640          | 530  | 560  | 450  | 40 | 15 | 14 | 51   | 4x100 | 56   | 5x100  | 26 |
| 630              | 730          | 600  | 630  | 500  | 50 | 20 | 20 | 80   | 4x100 | 105  | 4x120  | 24 |
| 710              | 810          | 660  | 710  | 560  | 50 | 20 | 20 | 60   | 5x100 | 97,5 | 5x115  | 28 |
| 800              | 900          | 730  | 800  | 630  | 50 | 20 | 20 | 95   | 5x100 | 80   | 7x100  | 32 |
| 900              | 1000         | 810  | 900  | 710  | 50 | 20 | 20 | 85   | 6x100 | 80   | 8x100  | 36 |
| 1000             | 1100         | 900  | 1000 | 800  | 50 | 20 | 20 | 80   | 7x100 | 80   | 9x100  | 40 |
| 1120             | 1220         | 1000 | 1120 | 900  | 50 | 20 | 20 | 80   | 8x100 | 90   | 10x100 | 44 |
| 1250             | 1350         | 1100 | 1250 | 1000 | 50 | 20 | 20 | 80   | 9x100 | 105  | 11x100 | 48 |

**Vibration absorbers**



**Direct drive**

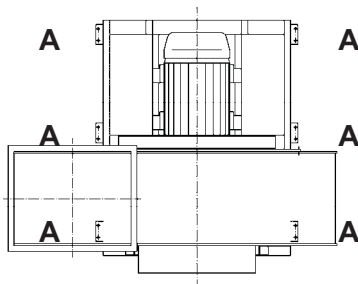
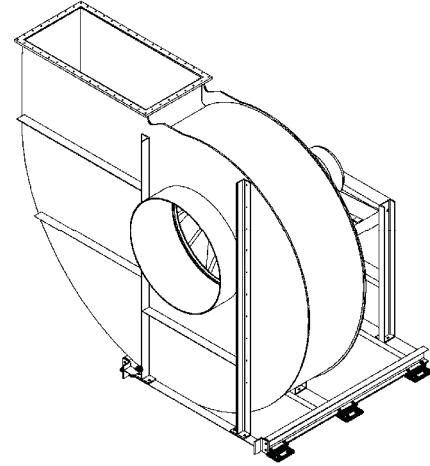
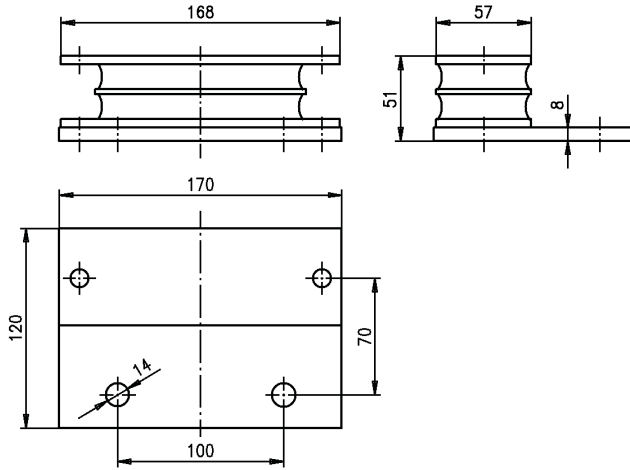


**V-belt drive**

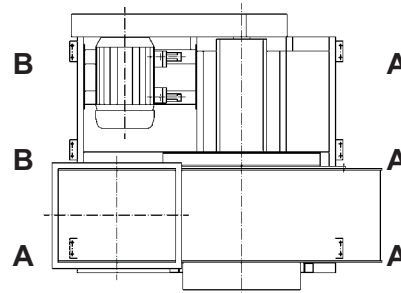
| Vibration absorber<br>Type | Measurements |    |     |    |    |
|----------------------------|--------------|----|-----|----|----|
|                            | D            | H  | E   | I  | b  |
| V 8/40                     | 40           | 40 | M8  | 23 | 7  |
| V 8/50                     | 50           | 40 | M10 | 25 | 10 |

| Fan Type CMV |              | Type   | Number |
|--------------|--------------|--------|--------|
| Direct drive | V-belt drive |        |        |
| 450-560      | 450,500      | V 8/40 | 4      |
| 630          | 560,630      | V 8/50 | 4      |
| 710,800      | 710,800      | V 8/50 | 6      |

**Vibration absorbers**



**Direct drive**

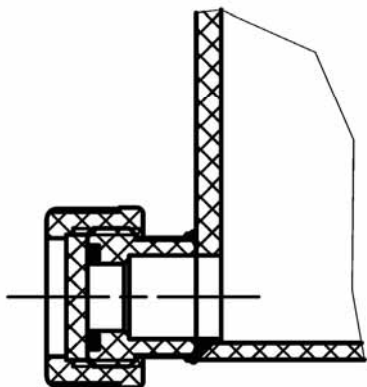


**V-belt drive**

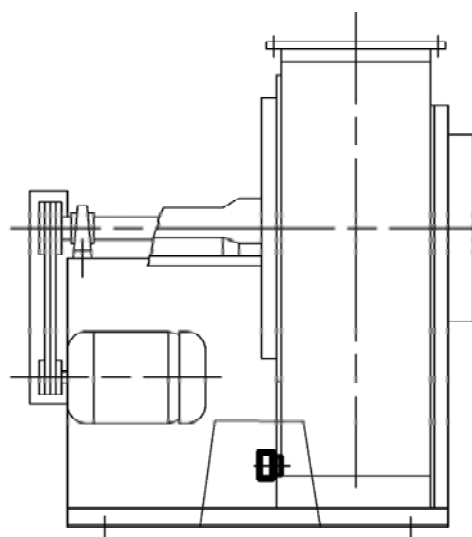
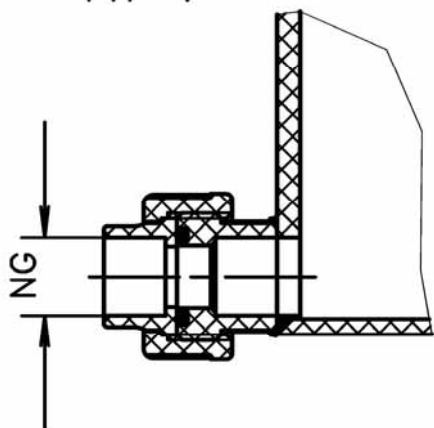
| Fan Type<br>CMMV | Motor-weight<br>kg | Number of elements  |                     |                     |                     |                     |                     |
|------------------|--------------------|---------------------|---------------------|---------------------|---------------------|---------------------|---------------------|
|                  |                    | Direct drive        |                     | V-belt drive        |                     |                     |                     |
|                  |                    | Position A<br>45°Sh | Position A<br>45°Sh | Position B<br>45°Sh | Position B<br>55°Sh | Position B<br>65°Sh | Position B<br>70°Sh |
| 900              | < 300              | 6                   | 4                   | 2                   |                     |                     |                     |
|                  | 300-450            | 6                   | 4                   |                     | 2                   |                     |                     |
|                  | 450-550            | 6                   | 4                   |                     |                     | 2                   |                     |
| 1000             | < 300              | 6                   | 4                   | 2                   |                     |                     |                     |
|                  | 300-550            | 6                   | 4                   |                     | 2                   |                     |                     |
|                  | 550-800            | 6                   | 4                   |                     |                     | 2                   |                     |
| 1120             | < 300              | 6                   | 4                   | 2                   |                     |                     |                     |
|                  | 300-550            | 6                   | 4                   |                     | 2                   |                     |                     |
|                  | 550-800            | 6                   | 4                   |                     |                     | 2                   |                     |
| 1250             | < 300              | 6                   | 4                   | 2                   |                     |                     |                     |
|                  | 330-550            | 6                   | 4                   |                     | 2                   |                     |                     |
|                  | 550-800            | 6                   | 4                   |                     |                     | 2                   |                     |
|                  | 800-1000           | 6                   | 4                   |                     |                     |                     | 2                   |

**Drain**

TYP K

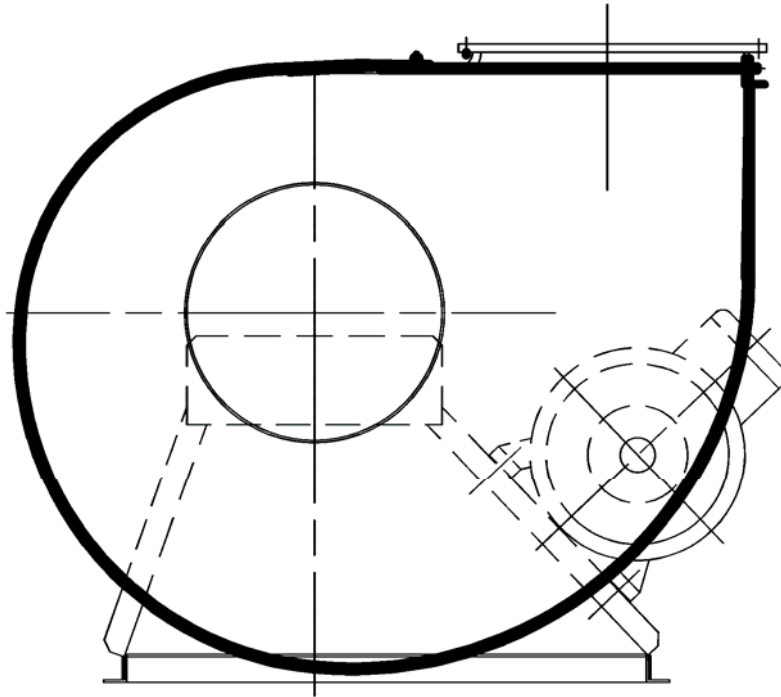


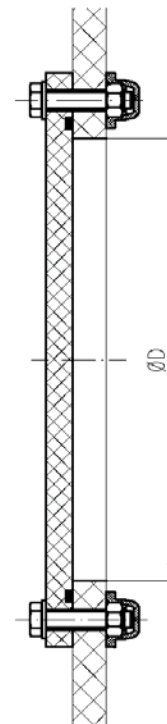
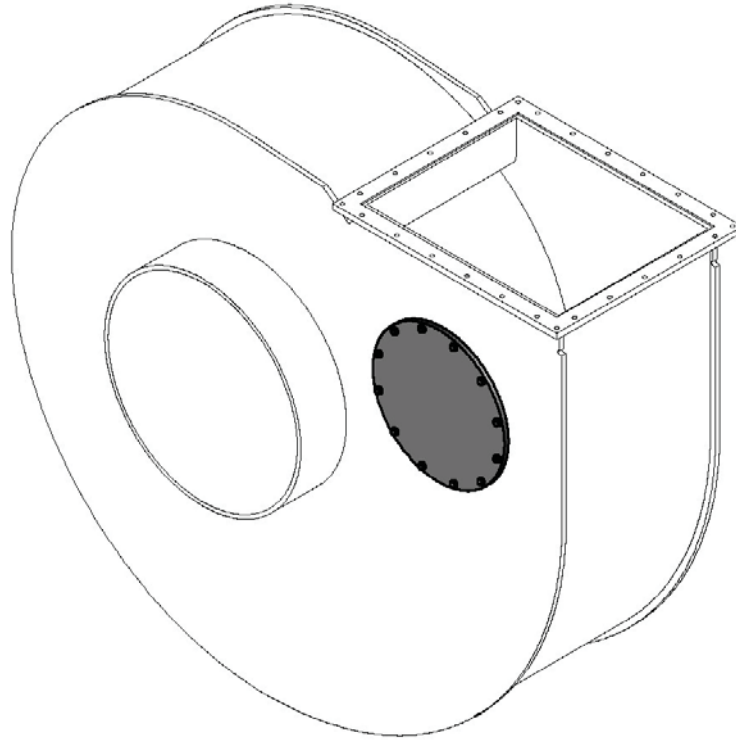
TYP V



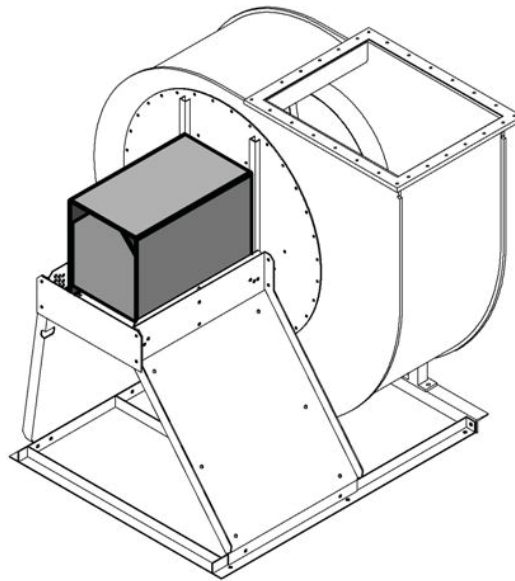
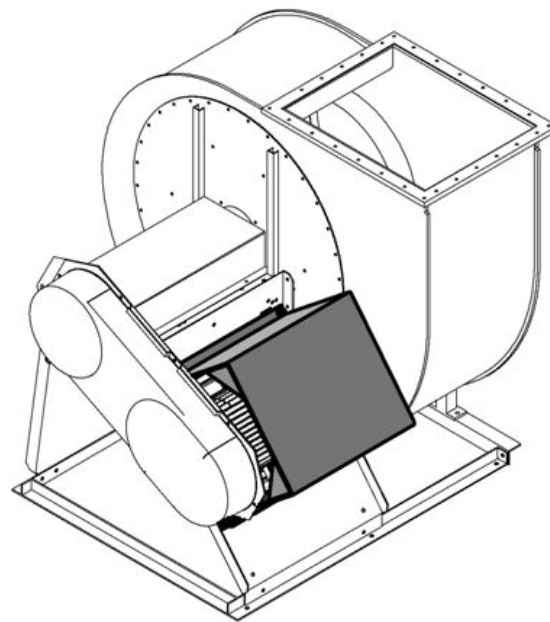
| Fan Type      | with cap | with fitting | NG |
|---------------|----------|--------------|----|
| CMMV 450-1250 | Typ K    | Typ V        | 25 |

**Splinter protection**

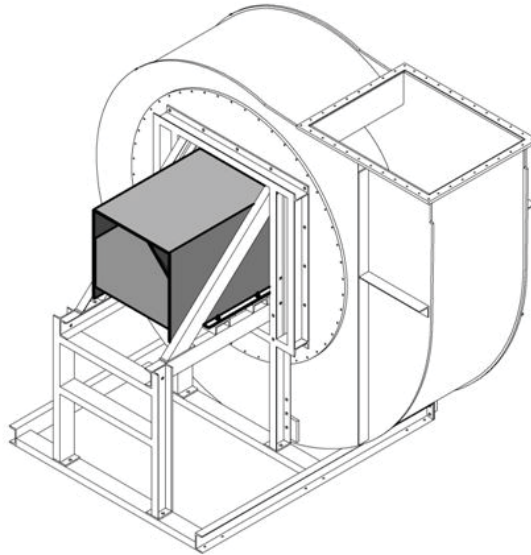


**Inspection hole**

| Fan Type      | $\varnothing D$ |
|---------------|-----------------|
| CMMV 450-560  | 200             |
| CMMV 630-1250 | 315             |

**Motor cover direct drive****Motor cover v-belt drive**

**Motor cover direct drive**



**Motor cover v-belt drive**

