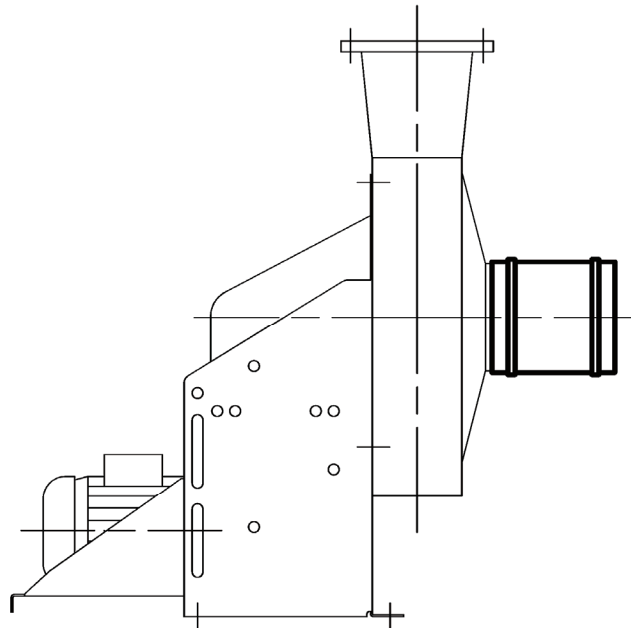
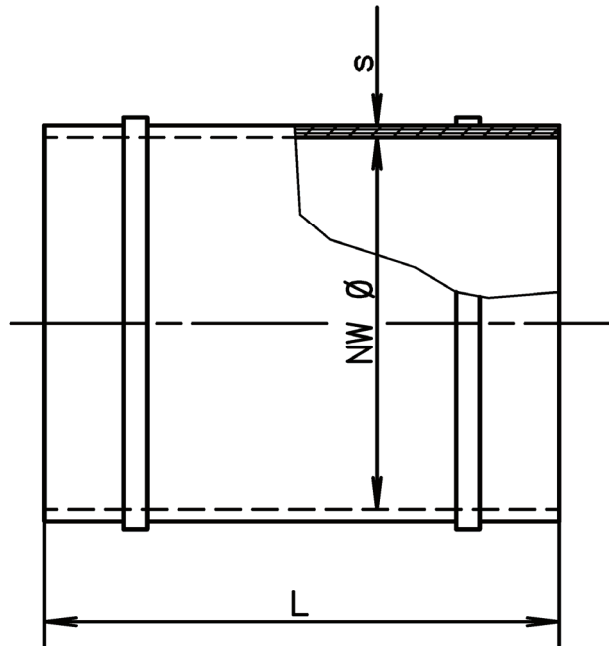
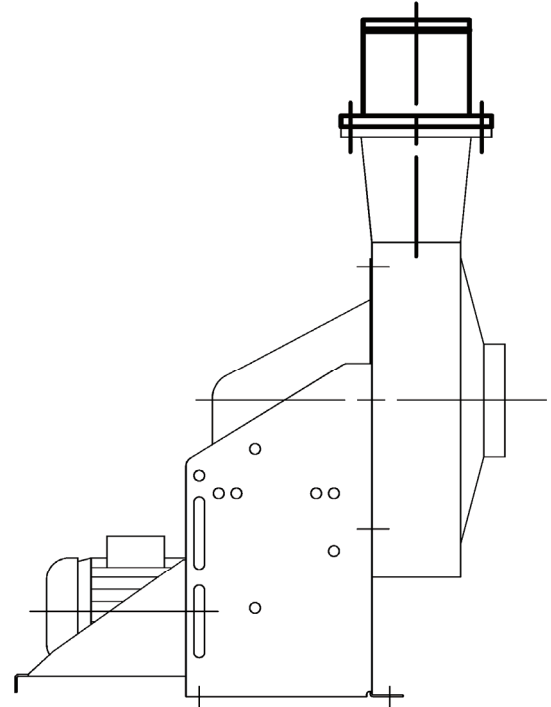
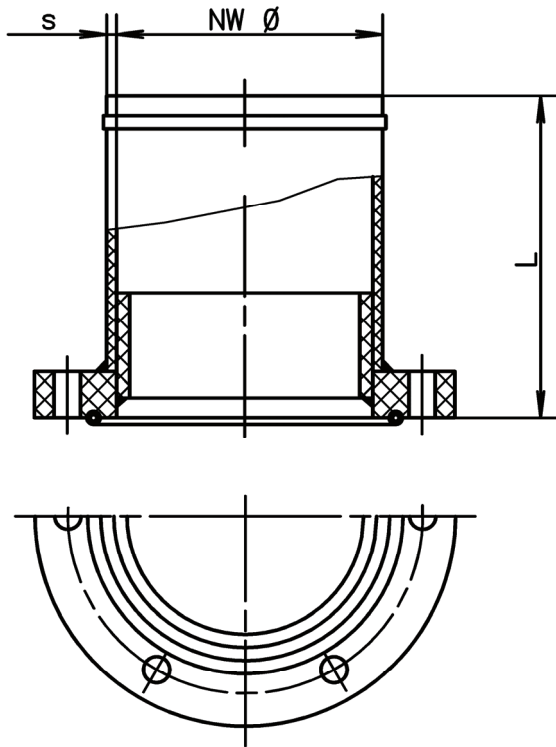


Sleeve PVC round with fixing bands, stainless


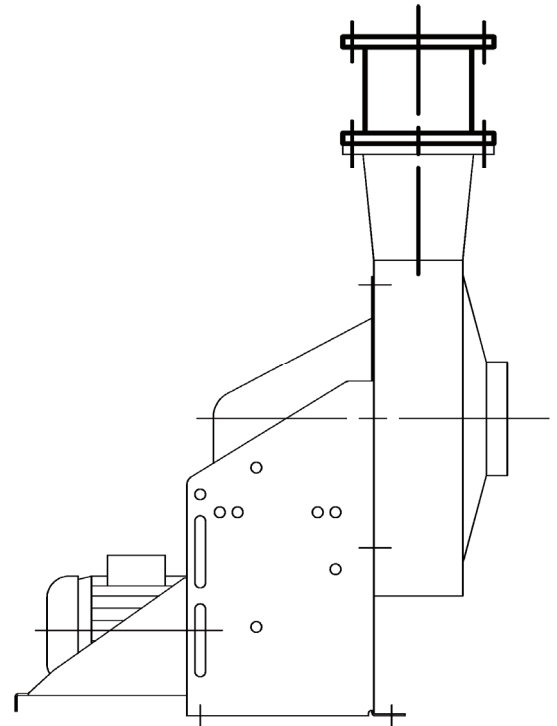
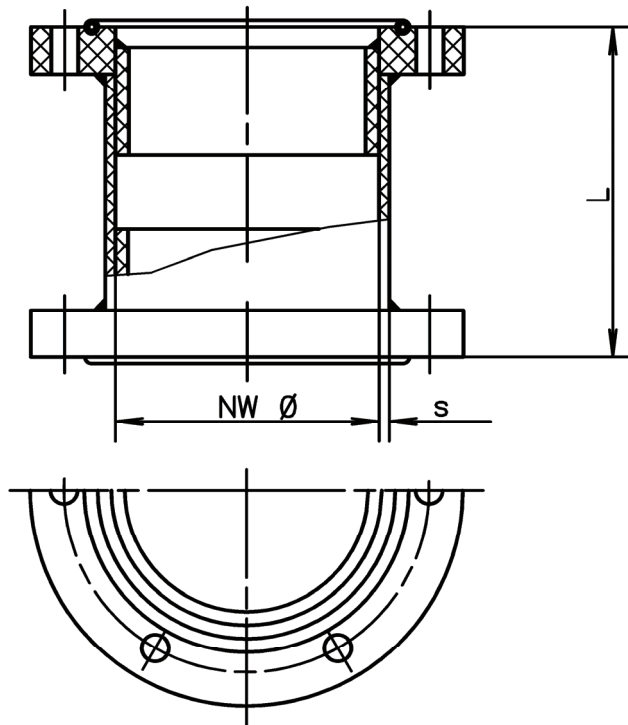
NW Ø	L	s
63-250	100	2

Sleeve with flange on one side (PVC)

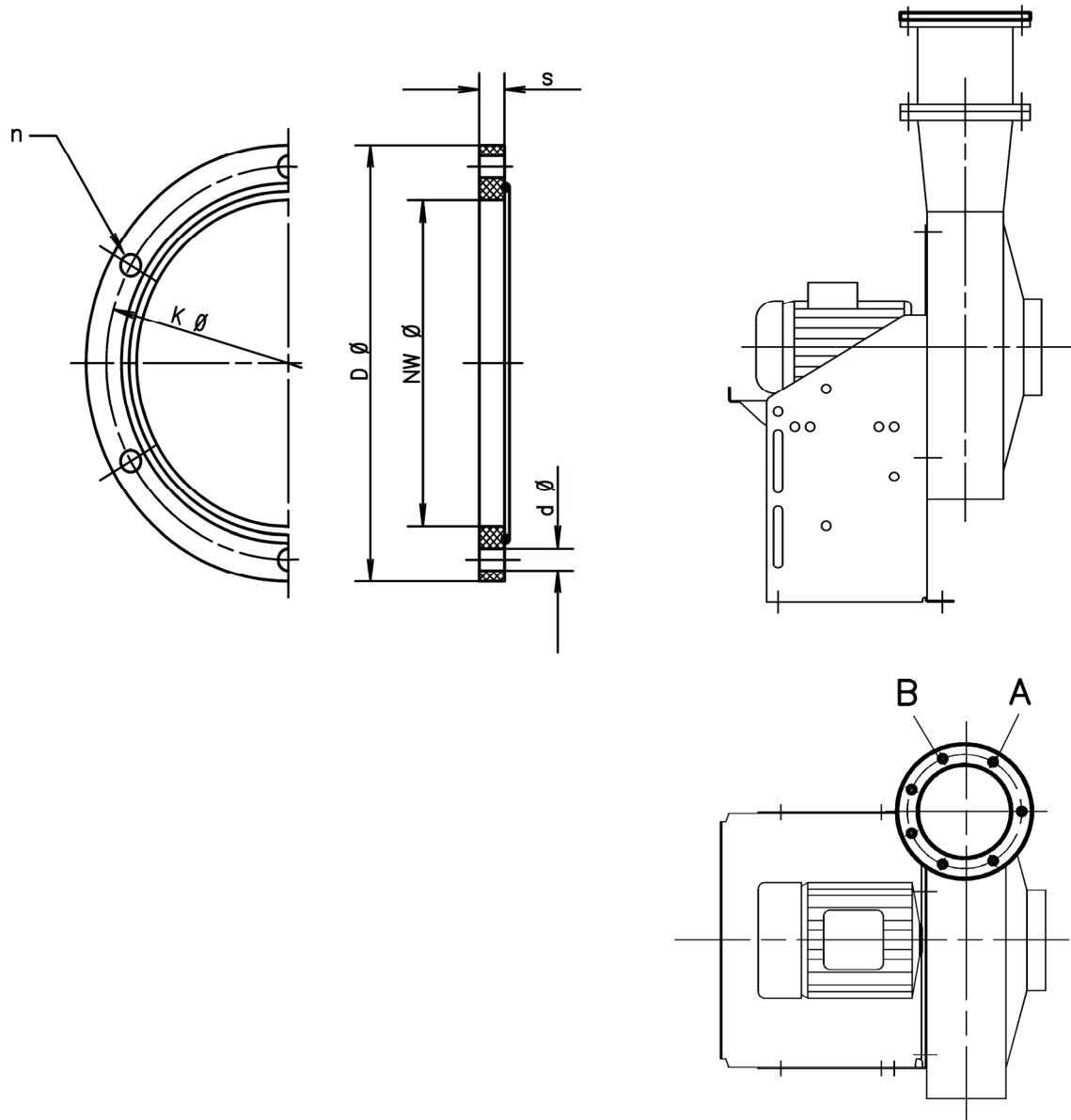


NW Ø	L	s
63-90	110	2
125-200	112	2
250	115	2

Sleeve round with flanges on both sides (PVC)

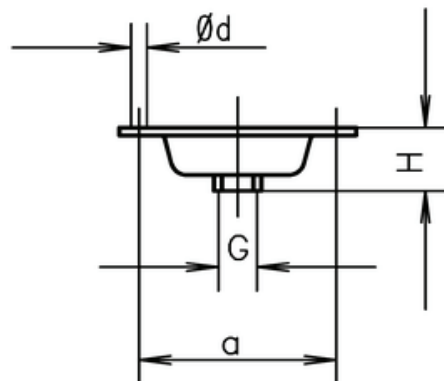
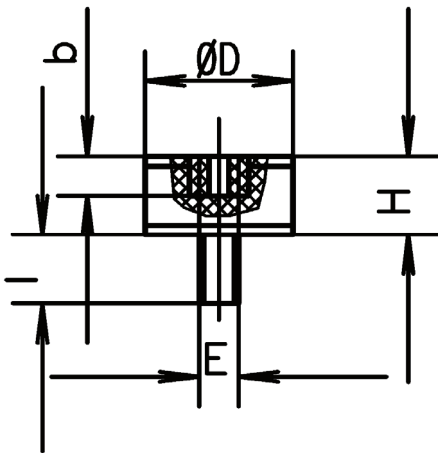
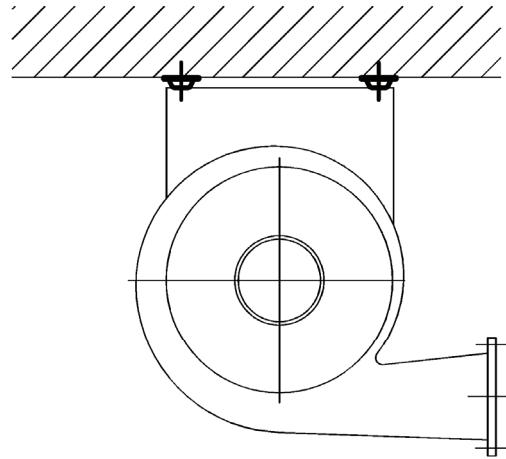
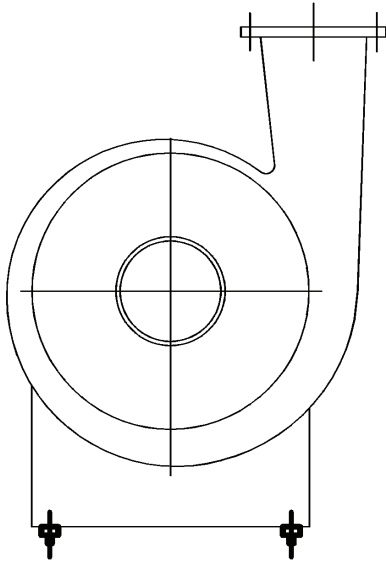


NW Ø	L	s
63-90	120	2
125-200	124	2
250	130	2

Flange PP / PPs / PVC / PE / PVDF


Fan Type NW Ø	Measurements					
	D	s	K	d	n	Pos
63	120	12	95	9	6 x 60°	A
90	150	12	125	9	6 x 60°	A
125	185	12	160	9	6 x 60°	A
160	220	12	195	9	8 x 45°	B
200	260	12	235	9	10 x 36°	A
250	310	12	285	9	10 x 36°	A

Vibration absorbers for ground erection or ceiling suspension

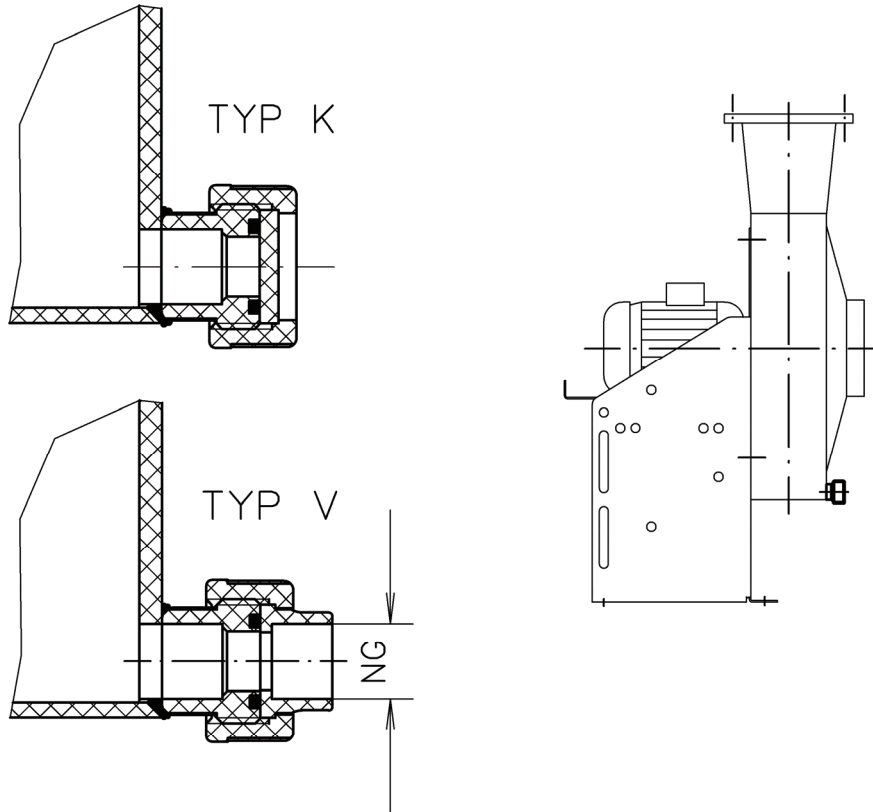


Bell-Elements Type	Measurements				
	D	H	E	I	b
V 8/40	40	40	M8	23	7

Bell-Elements Type	Measurements			
	H	G	a	d
G-E 10	30	M10	85	10,5

Fan Type	for ground erection	for ceiling suspension	Number of elements
CHVS 63-250	V 8/40	G-E 10	4

Drain



Fan Type	with cap	with fitting	NG
CHVS 63-250	Typ K	Typ V	20

Splinter protection

