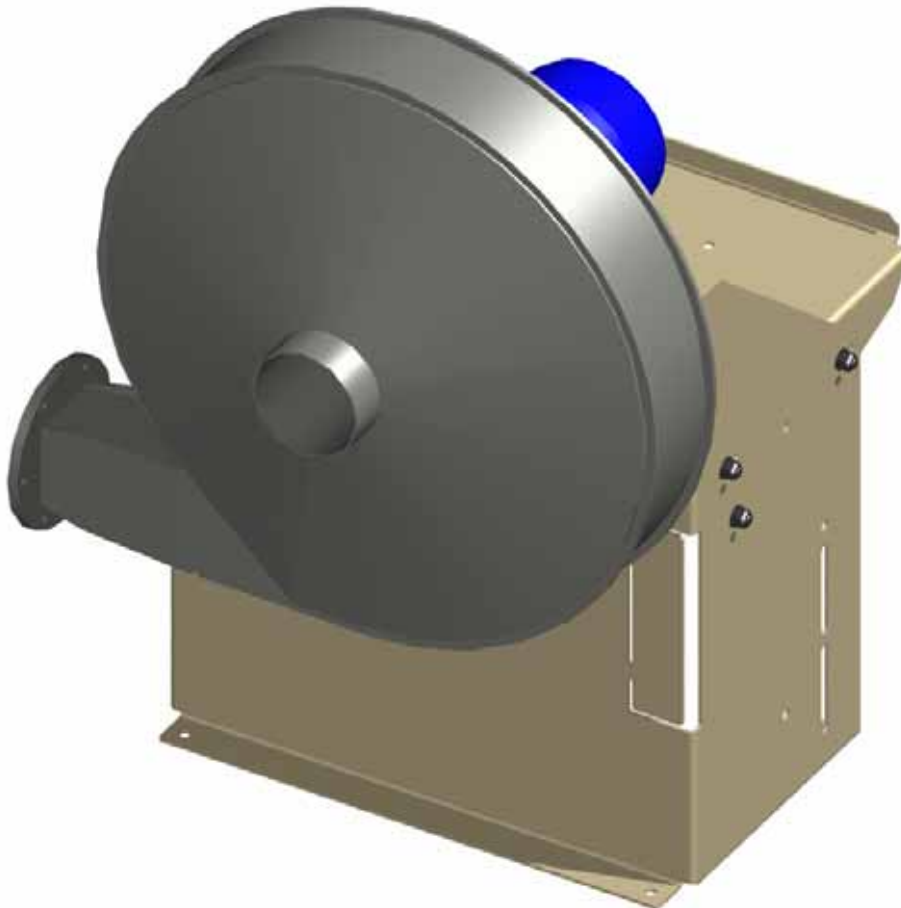


High pressure – Plastic industrial fan

Agent:	COLASIT AG – Faulenbachweg 63 – CH-3700 Spiez Tel. : +41 33 655 61 61 – Fax : +41 33 654 81 61 e-mail: info@colasit.ch
COLASIT Order No.:	_____
Fan Type:	_____
Year of manufacture:	_____
<input type="checkbox"/> For use in Ex zones	<input type="checkbox"/> Not for use in Ex zones





TD-000 680-E

Preface

This operating manual is the driver's license for the operation of this COLASIT fan. It is the main source of information and also the safety guideline. It deserves your full attention - please read it carefully.

The contents of this operating manual are subject to change without notice in order to take technical progress into account. In order to match this operating manual to your COLASIT fan, please register the following particulars of the fan below, whereby reference should be made to the manufacturer's nameplate.

Whilst reading this manual, you will be guided by symbols which indicate dangers and especially important references.

	Very important reference
	Generally valid danger warnings which concern your personal safety
	Reference to electrical dangers
	Reference to dangers resulting from the process environment

The entire operating manual consists of 3 parts

Part 1: General

Part 2: Components

Part 3: Certification

Table of contents

Part 1: General	4
1 General.....	4
1.1 Definition.....	4
1.2 Manufacture of COLASIT fans	4
1.3 Warranty	4
1.4 Safety review	5
1.5 Qualification of personnel	5
1.6 Possible emergencies	5
1.7 The safety inspector (So)	5
1.8 General risk matrix.....	6
1.9 EU conformity of the COLASIT fan.....	7
1.10 Restrictions when commissioning	7
1.11 General operating conditons	7
2 Explosion protection	8
2.1 Fan EX marking	9
2.2 Correct installation of ATEX fan	9
3 Shipping, unpacking, inspection, storage.....	9
4 Installation, design.....	10
5 Commissioning, initial start up, test run.....	10
5.1 Inspection of the installation and settings.....	10
5.2 Drive	11
5.3 Electrical installations, EMERGENCY - STOP	11
6 Operation.....	11
6.1 Safety regulations	11
6.2 Decommissioning	12
7 Maintenance, repair, cleaning	12
7.1 Preparation	12
7.2 Performance	13
8 Spare parts	14
9 Operating instructions	14
10 Log-book.....	14
11 Disposal	14
12 Faults and fault clearance	15
13 Retrofittable original accessories.....	16
Part 2: Components.....	16
14 Design and function CHVS.....	16
15 Dimension.....	17
15.1 Dimension of the CHVS with direct drive	17
15.2 Dimension of the CHVS with V-belt drive.....	18
16 Assembly instructions.....	19
16.1 Assembly instructions for CHVS with direct drive	19
16.2 Assembly instructions for CHVS with V-belt drive.....	20
17 Spare parts list.....	21
17.1 Spare parts list for CHVS with direct drive	21
17.2 Spare parts list for CHVS with V-belt drive.....	22
Part 3: Certification	23
18 Certification.....	23
18.1 EC Declaration of Conformity	23
18.2 ATEX Declaration of Conformity.....	24
18.3 Other certificates.....	26
19 Form fort he correct assembly of ATEX fans	27

Part 1: General

1 General

OBLIGATIONS

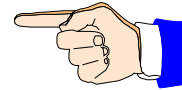
Prior to any work done on or with the fan, we put you under an obligation to read this operating manual and any further contractors' operating instructions carefully and through to the end.

Should anything not be clear, please get in touch with us immediately. Do not put the fan into operation as long as uncertainties exist.

With the commissioning of the fan you confirm that you have read and understood the operating manual.



After having become acquainted with the fan and its operational performance together with your production process, we recommend that you make a note of the different modes of operation in a "process instructions" document.

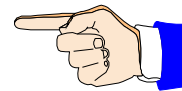


Together with this operating manual, any acceptance documents such as ATEX, works acceptance certificates and the EC declaration of conformity, the process instructions document forms part of the complete system documentation.

For the fan, a separate risk analysis was made as a prerequisite for writing this operating manual. Risks were evaluated and any remaining residual risks are pointed out in this operating manual.

When extracting aggressive gases, it is imperative to review the suitability of the materials:

- Once the principal or the operator has notified us of the gas mix and the maximum operating temperature, the suitability and any applicable restrictions will be confirmed in the data sheet of COLASIT AG.
- **In the absence of a written notification with regard to the extracted medium by the principal, the operator is responsible without limitation for assessing the suitability for the operation of the ventilator.**



1.1 Definition

The term "COLASIT fan" stands for a Swiss high-quality product and contains all those components and individual parts, as compiled in the purchase order or in the material parts list respectively, which, when assembled, form a functional unit.

1.2 Manufacture of COLASIT fans

The fan was manufactured using to modern manufacturing methods and was extensively tested both during manufacture and as a finished product by the COLASIT quality assurance system. The methods and procedures used for manufacture and production monitoring correspond to the state of the art. The personnel entrusted with the manufacture of the fan have the appropriate skills and possess valid qualifications.

All fans complete a successful test run in the manufacturer's facilities.

1.3 Warranty

The warranty ends on the date stated in the general terms of sale and delivery. Warranty is limited to the delivery of spare parts or the repair of defective parts in the manufacturer's works. Any further claims or the replacement of expendable items or of items subject to normal wear and tear are excluded.

We guarantee the availability of spare parts identical in construction to the original over a period of 10 years effective from the date of delivery.

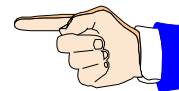
COLASIT only guarantees the stability of materials under the condition that technological data was available before production.

Any change in the conditions of use is only permissible after approval by COLASIT; otherwise this entails the loss of warranty.

Any changes or repair work during the warranty period may only be made by our fitters or with our written consent.

We refer to the limitation of warranty noted in the “drive“section in the case where a frequency converter supplied by a third party is used.

The fan must be deployed and used in accordance with the conditions mentioned in this operating manual. Only in this way can its function be guaranteed and dangers for persons and material be excluded during operation. We accept no responsibility or guarantee claims for damages arising from non-observance of this manual or from inappropriate operation.



1.4 Safety review

After having installed the fan, we recommend checking out the entire operating situation by means of a risk analysis. In this way it can be guaranteed that neither the fan suffers damage nor that the fan causes any damage.

1.5 Qualification of personnel

The fan must only be put into operation, handled, operated, maintained and cleaned by trained personnel who are authorised (and competent) to carry out such work.

The personnel must possess the appropriate skills needed to operate the fan and be familiar with the effects of the reactions caused by the fan.

The personnel qualified for the operation of the fan must be able to react adequately and correctly in the case of a fault or an emergency.

1.6 Possible emergencies

An emergency results from the bursting or melting of plastic components as a result of mechanical damage or chemical and thermal influences. In this case, parts may fly off and vapours may be produced which could be hot, corrosive, poisonous, irritating or inflammable. (e.g. hydrochloric acid vapour if PVC gets burnt).

A danger of fire exists under certain conditions.

For the choice of the correct fire-extinguishing devices and the positioning of the fire-fighting equipment, please follow the recommendations of your official fire-prevention agency.

1.7 The safety inspector (So)

The function of the safety inspector or his representative is defined in the operating company's organisational chart. The name of the person must be known to all personnel who are responsible for the fan. The operating company defines his competencies and his area of responsibility.

The safety inspector approves the fan for operation.

1.8 General risk matrix

Operation

The safety regulations in effect at the operator's location are mandatory and are to be observed at all times. During operation, parts of the body or objects must never be brought within the reach of the fan. Before making an intervention, the process must be stopped i.e. all mechanical movement is to be stopped and it is to be ensured that no self-acting motion can occur.



Missing protective equipment

If the fan is equipped with safety equipment, this equipment must neither be modified nor removed. Further protective devices of a suitable construction are to be mounted by the operator and are subject to his control.



Disregard of safety precautions

Please implement all safety measures, in order that the fan, together with its associated equipment, works properly and so that any danger to persons, materials and products can be excluded.



Decommissioning

In the case of damage or malfunction of protective equipment, the fan is not to be used any more. It may only be put into operation again when the protective equipment is full functional again.



Overpressure

If the fan is operated under overpressure conditions with normal seals, the danger of gas escape exists. For operation under overpressure conditions, special seals are to be employed.



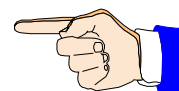
Electric power

When any work is done on the fan, the electric drive is to be isolated from the electrical supply and it is to be made sure that it cannot be reconnected. The main power switch has to be secured against operation by third parties using a lockable device (e.g. padlock) by the persons working on the fan. **The full disconnection of the motor is only permissible in case of complete removal!** The safety regulations for work on electrical equipment in effect at the place of operation must be observed at all times and be available at the place of operation.



Electrostatic charge

Because of media flowing in the plastic components, electrostatic charges can build up. These are harmless for persons who do not respond to electrical impulses in the body.



Unsuitable materials

Through the use of inappropriate materials, the fan and/or parts of it can be damaged or become non-operable. Please always use original spare parts and contact the manufacturer in any case of doubt.



Dangerous media

Depending on the mode of operation, fan parts are in contact with dangerous media.

Work on the fan or the carrying out of maintenance work is not allowed during operation. Before carrying out any work, the system has to be freed from any dangerous media and, when required, to be neutralised and secured in such a way that an inflow of dangerous media is prevented.



1.9 EU conformity of the COLASIT fan

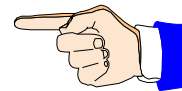
The fan was designed, built and tested to Directive 2006/42 EC.

In addition to this EC Directive and EN standards which have the equivalent status of a Swiss standard, Swiss safety and accident-prevention regulations have also been taken into account.

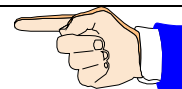
An EC Declaration of Conformity in terms of the EC guidelines 2006/42 EC on machines will be issued along with the fan.

1.10 Restrictions when commissioning

We stipulate that putting into operation is prohibited as long as the fan, including all parts belonging to it or equipment connected to it, has not been installed and checked out and until the operating manual has been read completely before commissioning.



We stipulate that the fan may only be put into operation when the safety inspector has given his approval. He is obliged to record this approval in a protocol.

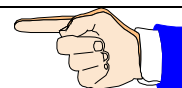


The disregard of these stipulations constitutes negligence.

1.11 General operating conditions

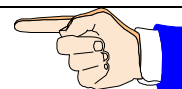
The permissible operating conditions are indicated on the manufacturer's plate.

The fan is not suitable for the transport of solids in the air flow. This operating mode will lead to the destruction of the fan.

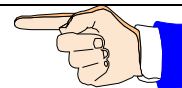


The ducts on the intake and delivery sides must always be open. A closed duct will lead to a rise in temperature which could cause the destruction of the fan.

The minimum air speed through the fan is 5 meters per second.

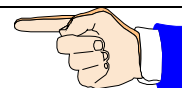


The maximum air speed may not exceed 30 meters per second through the fan.



The standard motors are designed for normal operating conditions (ambient temperature: +40°C, location under 1000 m above sea level, air pressure up to 1050 hPa). In the case of divergence from these conditions, please contact COLASIT.

Compliance with these operating conditions is the responsibility of the operator.

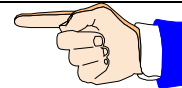


2 Explosion protection

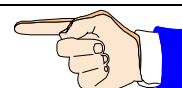
COLASIT plastic fans are suitable for the conveyance of gases in Zone 1 or 2 (Equipment Category 1 or 2) depending on the model. COLASIT plastic fans are not suitable for the conveyance of gases in Zone 0 (Equipment Category 1).

The zone classification of the conveyed medium and the site of installation must be made known by the fan operator so that COLASIT can take the necessary measures to prevent the risk of ignition.

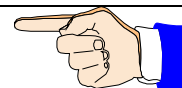
The explosion-proof COLASIT fans are not suitable for the conveyance of explosive dusts.



No modifications may be made to ATEX-certified fans. All work on the fan may only be carried out by ATEX-trained skilled personnel. Otherwise the ATEX Certificate will lose its validity.

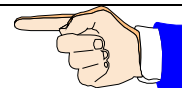


On ATEX certified fans, the external grounding terminal of the motor and fan must be connected to a potential equalization system.

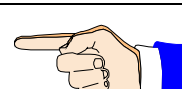


Motors with protection type "e" are standard for using in the explosion-proof design of our fans. The standard version of the motors used complies with temperature class T3 (maximum surface temperature 200°C). As special-purpose design, motors with protection type "d" or motors with temperature class T4 (maximum surface temperature 135°C) are also available.

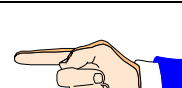
The user must define a suitable temperature class for his application that does not reach the ignition temperature of his conveyed medium.



Please also observe the specifications in the operating instructions of the motor manufacturer. The thermal motor protection must be connected in compliance with the manufacturer's specifications (operating instructions).





If a frequency converter is fitted, we recommend using pressure-proof enclosed motors. In addition, a certified PTC resistor releasing device must be fitted. The following specifications must be included on the motor rating plate: min and max frequencies, min and max speeds, min and max torque or output, limit temperature PTC and PTC release time.



2.1 Fan EX marking

The Ex marking is located on the rating plate of each ATEX fan. On a fan of Equipment Category 2 (Zone 1), it looks like this:

 **II 2/3G c T3**

	CE-marking
	Marking denoting prevention of explosions
II	Equipment Category II, for all Ex-applications which do not fall in Class I (mines and surface workings).
2/3G	Equipment Category inside/outside the fan Equipment Category 2 is the equivalent of Zone 1 and Equipment Category 3 is the equivalent of Zone 2 “G” fan for the conveyance of explosive gases
c	Protection type “design safety“
T3	Temperature class T3: Max. surface temp. 200 °C T4: Max. surface temp. 135 °C

2.2 Correct installation of ATEX fan

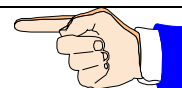
The fan must be installed properly to guarantee trouble-free operation. To document proper installation, you will find a form on the last pages of this operating manual. The fitter must confirm the proper installation item for item on this form.

The signed form must be kept by the safety officer or operating company.
COLASIT also offers a comprehensive installation service for fans.

3 Shipping, unpacking, inspection, storage

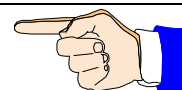
The fan is completely assembled and can be delivered in a closed film wrapping.
Please make sure the delivery corresponds to the shipping documents.

Please examine the packaging for external damage and report any damage immediately to the transport company, the supervisor and the manufacturer



Please handle the fan with care. During transportation, only apply strain on the steel parts. Plastic is sensitive to impact and knocks, especially in the temperature range under +5°C.

When the film is removed, the intake and pressure nozzles are open and unprotected against the intrusion of foreign objects. Therefore, please do not remove the protective film until shortly before final installation.



Storage

If the fans are not put into operation immediately, store them in a clean dry place where they are protected from impacts, vibrations, and temperature fluctuations and where the air humidity is under 90%.

If these storage conditions are not available, switch the fans on at regular intervals to exclude the risk of condensate forming. Before switching on, unscrew the condensate drain plugs each time and replace them afterwards.



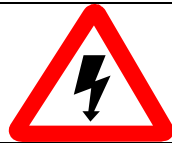
Store the fan in a dry, weather-protected place and cover with a tarpaulin to protect it from dust and soiling.

If stored for over one year, test whether the fan bearings rotate freely before putting into operation.

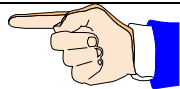
4 Installation, design

Before installation, check whether all the locking screws (including the motor screws) are tightened properly.

Check the electrical connections if wired at the factory.



Before installation, check that there are no foreign bodies in the coil or in the intake and pressure connections.



The fan must be installed at a location provided and prepared by the customer and must be secured and connected in such a way that any possible vibration occurring can be absorbed by the vibration dampers supplied by COLASIT.

If no ducting is foreseen on the intake side, the intake connection should be protected by a sturdy protective grating (10mm mesh) to be provided by the customer.

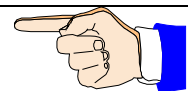
Connection ducting on the pressure side must be routed to prevent the backflow of foreign bodies, rainwater or condensate into the fan. To ensure this, please use the COLASIT condensate drain nozzles.

Due to the possibility of noise nuisance, we recommend that the fan should not be installed in the immediate vicinity of workplaces.

The fans of category 2 (zone 1) must be grounded.

5 Commissioning, initial start up, test run

The fan should only be put into operation after inspection and approval by the safety inspector has taken place.



5.1 Inspection of the installation and settings

Check list:

Prior to commissioning and initial start-up, it must be guaranteed that..

- the fan is installed vibration-free and mechanically secured,
- all components are cleaned both on the inside and the outside and are free from foreign bodies,
- all intake and delivery ducts are connected in a leak-proof and elastic manner,
- all rotating parts are protected against unintentional contact,
- the electrical connections are installed and their function tested,
- a lockable main control switch is available to which the fan is connected,
- the EMERGENCY-STOP equipment is functionally tested,
- the safety inspector has made sure that safety equipment exists,
- the operating personnel is familiar with the operating manual,

- the safety inspector has given his approval for the operation of the installation and that no external persons are present in the plant area

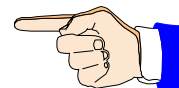
If envisaged by procedural regulations provided by the operator, minutes have to be taken on the commissioning work, including the observance of the check list.

5.2 Drive

The fan is driven by an electrical motor which is connected either directly or via a v-belt to the impeller shaft. Data on the electrical connection of the motor are indicated on the motor's data plate or in the motor manufacturer's data sheet.

When speed is controlled by means of a frequency converter, the maximum rotational speed is limited by COLASIT to the value indicated on the manufacturer's plate.

If the frequency converter is not provided by COLASIT, the operator is responsible for the observance of the maximum rotational speed limit. In this case, COLASIT does not assume any liability for damage that can be attributed to exceeding the maximum rotational speed.



5.3 Electrical installations, EMERGENCY - STOP

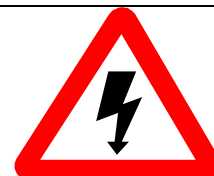
The electrical installations may only be carried out by an authorised electrician in accordance with the regulations valid at the site at which the fan is installed.

For the interruption of the power supply, an EMERGENCY-STOP switch is to be provided. It is advisable that this switch be mounted in the vicinity of the emergency exit.

Please request confirmation from the in-house electrician that the electrical installations were carried out and tested in accordance with regulations, that all functions have been tested (or simulated) and that the rotational direction is correct.

Caution

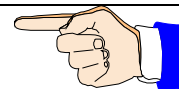
Do not turn power on or off without prior warning to persons in the area where the fan is operating. Switching operations must be co-ordinated with other functions in the working area of the fan.



6 Operation

6.1 Safety regulations

The fan is to be operated according to this manual. In doing so, you will avoid possible damage.



Supervision

The fan must not be operated unattended as long as it conveys substances, whose reactions are unknown or if unexpected reactions are to be anticipated. If the supervision has to be withdrawn for operational reasons, this has to be reported to the safety inspector and the plant has to be secured in such a way that no unauthorised manipulation can be carried out. The safety inspector decides on questions regarding supervision.



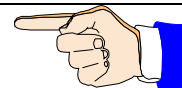
6.2 Decomissioning

An internal procedure instruction regulates the work to be carried out as well as the preparatory work for re-commissioning (e.g. cleaning).

7 Maintenance, repair, cleaning

7.1 Preparation

Before any work is carried out on the fan, it has to be brought into its "safety position".



The "safety position" is defined as follows:

- Drive is de-energised, the main control switch is secured against switching on,
- The fan impeller can be manually rotated,
- Fan flushed with fresh air and condensate-free,
- Fan is at room temperature,
- Personal protective equipment is available and its use is ordered. (Use of protective gloves because of sharp edges, ear protectors if necessary).
- A sign, e.g. "in revision", is to be attached to the plant,
- The safety devices may be removed,
- The work to be carried out must not be done under time pressure,
- The general and specific regulations on accident prevention as well as the EKAS guidelines (Switzerland) are to be observed,
- The safety inspector is informed about the nature and the course of the works.

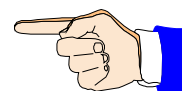
If the intake and delivery ducts of the fan are dismantled for a longer period of time, the openings are to be closed off.

7.2 Performance

The fan must be maintained in accordance with the Maintenance Plan below. The maintenance work carried out must be noted down in the logbook (see the section on Logbook).

Every week	Every month	Every year
<ul style="list-style-type: none"> • Make a visual inspection of fan for damage, leaks, corrosion and attachment. • Check the smooth running of the fan and electric motor. • Check state and tension of the V-belt and replace if necessary. 	<ul style="list-style-type: none"> • Check the impeller and casing for deposits and clean if necessary. • Check the shaft bearing for smooth running and vibrations. Bearing maintenance. • Remove any dust deposits on the fan and motor. • Check the flexible transitions from fan to duct system for leaks and state. • Check the function of the condensate nozzle. • Check the state of the vibration dampers. • Check the state of the hub gasket (if fitted). 	<ul style="list-style-type: none"> • Carry out a thorough cleaning of the entire fan (including impeller). • Check the parts in contact with the conveyed medium for corrosion. • Check the minimum clearance between the impeller and casing (minimum 1% of intake diameter, maximum 20mm). • Measure the vibrations at bearings (KA) or motor (DA). Permitted value acc. to ISO 14694 Class BV-3, 5.1mm/s. • Check the safety devices (e.g. splinter protection or intake grating) for condition and function. • Check the stands for damage and stability. • Check all screw unions for firm seating.

Normally the bearings are designed for a service life of 40,000 hrs. After this period the bearings must be replaced. The service life of the bearings is reduced when subjected to increased requirements (e.g. high temperature, aggressive ambient air or operation with frequency converter).



On drives with V-belts, check the tension regularly and monitor the belts closely particularly during the first weeks of operation. This also applies after long periods of downtime. Excessive tension leads to bearing damage, insufficient tension leads to slip, wear and frictional heat.

After replacing a V-belt, check the tension after 1 to 4 hours of operation and retension as necessary.

Components which are not intended for repair by the operator must be sent to the manufacturer or agent for repair or replacement (e.g. damaged impeller).

Your agent or COLASIT
also offers customer services

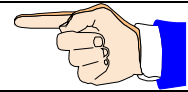
Manufacturer	COLASIT AG
	P.O. 85
	CH 3700 Spiez / Switzerland
	Phone.: 0041 (0)33 655 61 61
Agent	Fax.: 0041 (0)33 654 81 61
	e-mail info@colasit.ch
	see page 1

Deposits on the impeller and soiling lead to imbalance and as a result to vibrations with undesirable side effects.
If vibration occurs, switch the fan off immediately.



Contamination and encrustations should be removed with a soft tool without damaging the surface (e.g. with a wooden spatula or scraper). If possible, use water and a household cleaning agent.

Solvents can corrode the material. These may only be used with the written consent of COLASIT.



To carry out cleaning work, we recommend the production of a process instruction.

8 Spare parts

Please identify components by means of the item and drawing numbers as well as the order number and model designation.

Use only original spare parts. Our warranty is void if other or unapproved components are used.

Please address your spare parts order to our customer service department

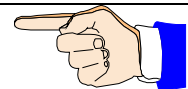
9 Operating instructions

For the operation of the fan, we recommend the preparation of process instructions documentation. Such documents simplify repetitive workflows, reduce the risk of incorrect operation and are a valuable aid when personnel changes occur and for training.

If the fan must be qualified, process instruction documents are required.

You will find important notes on the preparation of process instructions in various chapters of the operating manual.

To help ensure the safe operation of the fan, COLASIT offers, as a service, the review of process instruction documents prepared by the operator.



10 Log-book

For your own safety and as a contribution to personal responsibility, we recommend the keeping of a log book for the entire operation in which the fan is in use.

All events should be registered in the log book.

In the case of damage and also in the case of an accident, this document is the first source of information.

Please register the following together with, for example, date and signature:

- beginning and end of a work cycle
- special occurrences, even if these do not concern the fan itself (e.g. power failure, alarm)
- change of persons responsible for monitoring (e.g. in the case of shift operation)
- repairs carried out and spare parts installed
- decommissioning
- special instructions
- etc.

11 Disposal

Before disposing of plastics and other components, (complete or as broken parts), please clean them as necessary to preclude any danger to the environment.

Dispose of the components correctly. Instruct a waste-management company to do this or return them to us for disposal.

12 Faults and fault clearance

If faults occur, we recommend that you identify and clear them using the following table.
If the fault cannot be cleared, please contact our customer service.

Operational fault	Possible causes	Remedy
Fan runs irregularly	Impeller is unbalanced	Re-balancing by a specialised company
	Impeller caked up	Clean carefully, re-balance if necessary
	Material corrosion on impeller caused by conveying aggressive media	Consult the manufacturer
	Deformation of impeller because temperature too high	Consult the manufacturer Install a new impeller Check bearings
	V-belt drive is not correctly lined up	Adjust belt drive
Drive belt torn or damaged	Normal wear and tear	Exchange complete sets of drive belts
	Drive belt is too strongly tensioned	Adjust belt drive
Drive belts slip	Wrong degree of tensioning	Check belt tension and re-tension if necessary
	Foreign objects or dirt in the grooves or the pulleys	Clean the pulleys and check drive belt profile
Leakage on the shaft bushing	Seal is not suitable for the mode of operation	Consult the manufacturer
Leakage on the sleeves	Sleeves are defective	Replace sleeves
	Tensioning straps are not firmly tightened	Tighten tensioning straps
Fan output too low	Wrong rotational direction of the impeller	Change direction of rotation
	Pressure loss in ducting too high	Different duct configuration
	Flow dampers are not or only partially opened	Check opening positions on the spot
	Inlet or delivery duct blocked	Remove obstacles
Fan does not reach its rated speed	Electrical control mechanisms are wrongly adjusted	Check adjustment of the motor protective device and if necessary re-adjust
	Motor winding is defective	Please consult manufacturer
	Drive motor is not correctly dimensioned	Please consult manufacturer for the purpose of checking starting torque
Grating noises during operation of the fan or when it runs down	Inlet duct is installed in a distorted way	Remove inlet duct and re-mount it
Temperature rise of the roller bearings	Bearing was not lubricated	Change bearing and lubricate regularly according to maintenance instructions

13 Retrofittable original accessories

If not already a part of our delivery, these original parts are available ex-stock for further ordering.

- Frequency converters
- Elastic sleeves
- Vibration dampers
- Condensate drains
- Engine cover for outdoor installations
- Splinter protection
- Wall console

Part 2: Components

14 Design and function CHVS

All impellers of this series are balanced out to better than Q6.3 according to VDI 2060.

The casing with its thermoplastic rear panel is screwed onto the support base and can be easily dismantled for inspection or cleaning purposes.

The fans are available in 2 standard designs:

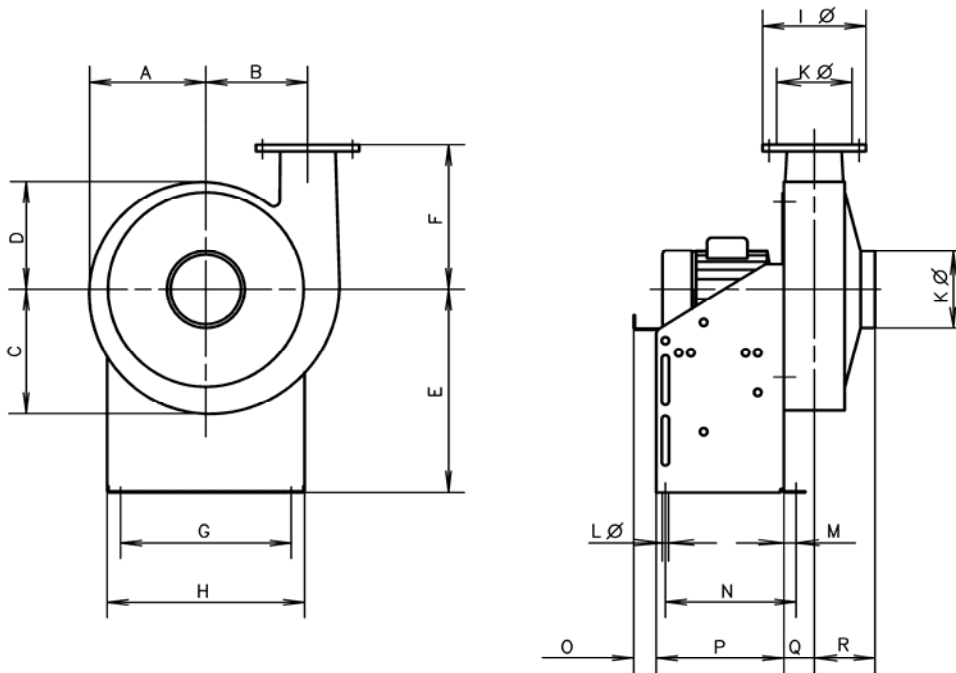
Direct drive:

V-belt drive:

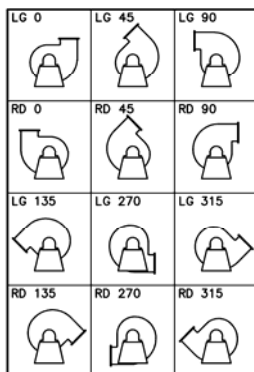
As a basic principle, plastics fans are to be installed on the intake side in order to avoid leakage.

15 Dimension

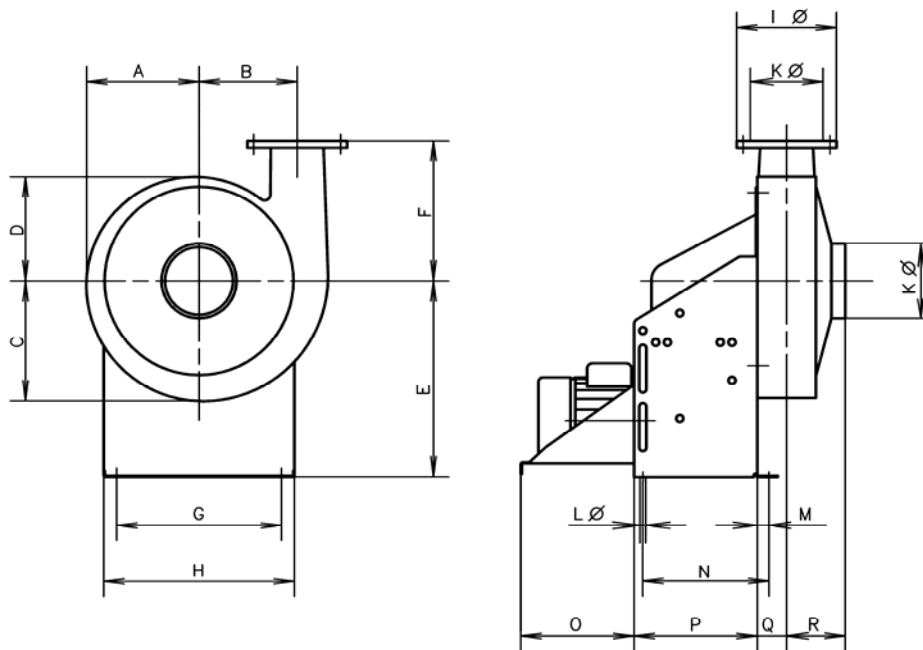
15.1 Dimension of the CHVS with direct drive



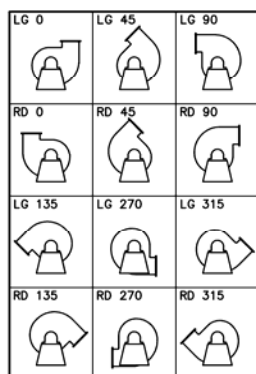
CHVS	63	90	125	160	200	250
A	309	317	327	338	351	361
B	275	281	289	298	307	318
C	311	323	339	356	375	395
D	307	311	315	320	327	327
E	630	630	630	630	630	630
F	400	400	400	400	400	400
G	545	545	545	545	545	545
H	615	615	615	615	615	615
I Ø	120	150	185	220	260	310
K Ø	63	90	125	160	200	250
L Ø	12	12	12	12	12	12
M	30	30	30	30	30	30
N	335	335	335	335	335	335
O	110	110	110	110	110	110
P	325	325	325	325	325	325
Q	59	62	65.5	69.5	73.5	80
R	180	180	180	180	180	180



15.2 Dimension of the CHVS with V-belt drive

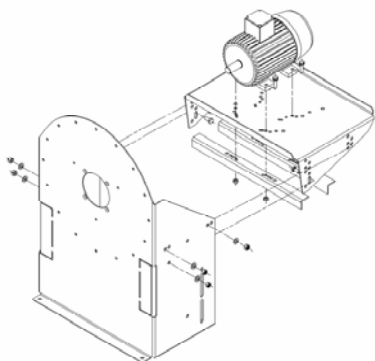


CHVS	63	90	125	160	200	250
A	309	317	327	338	351	361
B	275	281	289	298	307	318
C	311	323	339	356	375	395
D	307	311	315	320	327	327
E	630	630	630	630	630	630
F	400	400	400	400	400	400
G	545	545	545	545	545	545
H LG/RD 0	615	615	615	615	615	615
I Ø	120	150	185	220	260	310
K	63	90	125	160	200	250
L	12	12	12	12	12	12
M	30	30	30	30	30	30
N	335	335	335	335	335	335
O	394	394	394	394	394	394
P	325	325	325	325	325	325
Q	59	62	65.5	69.5	73.5	80
R Ø	180	180	180	180	180	180

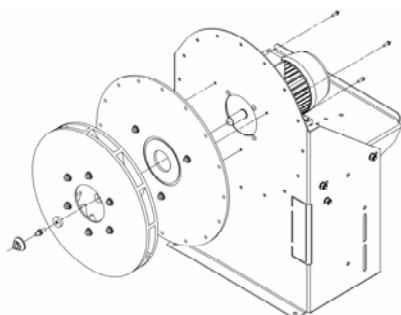


16 Assembly instructions

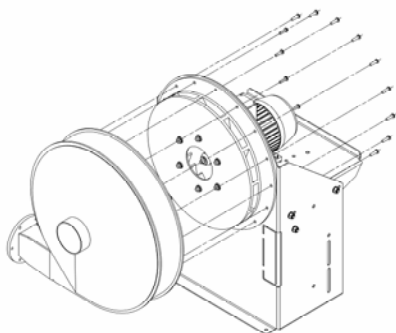
16.1 Assembly instructions for CHVS with direct drive



1. Bolt motor bracket together and attach motor



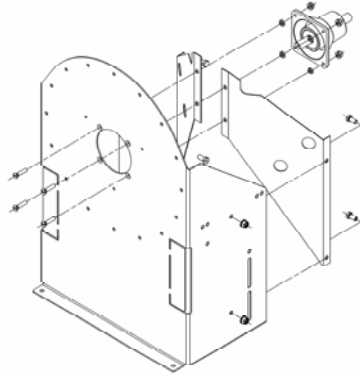
2. Mount back plate and impeller



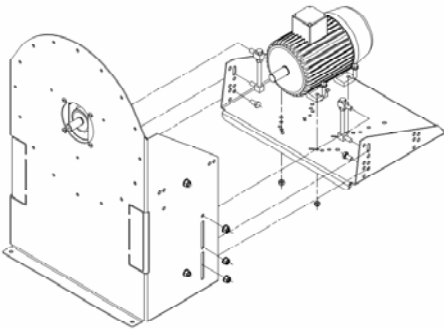
3. Install casing

Dismantle in the same way but in reverse order

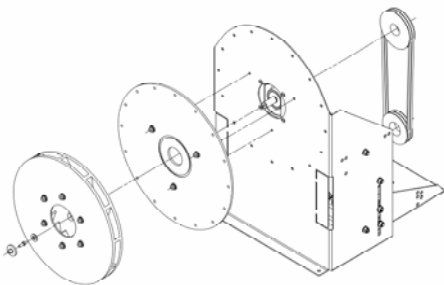
16.2 Assembly instructions for CHVS with V-belt drive



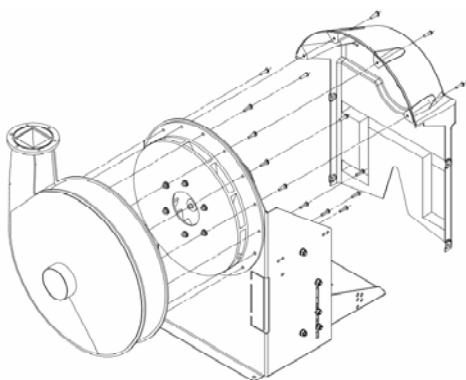
1. Install flanged bearings and reinforcement plates



2. Bolt motor bracket together and attach motor



3. Install V-belt drive. Tension drive belts. Mount back plate and impeller

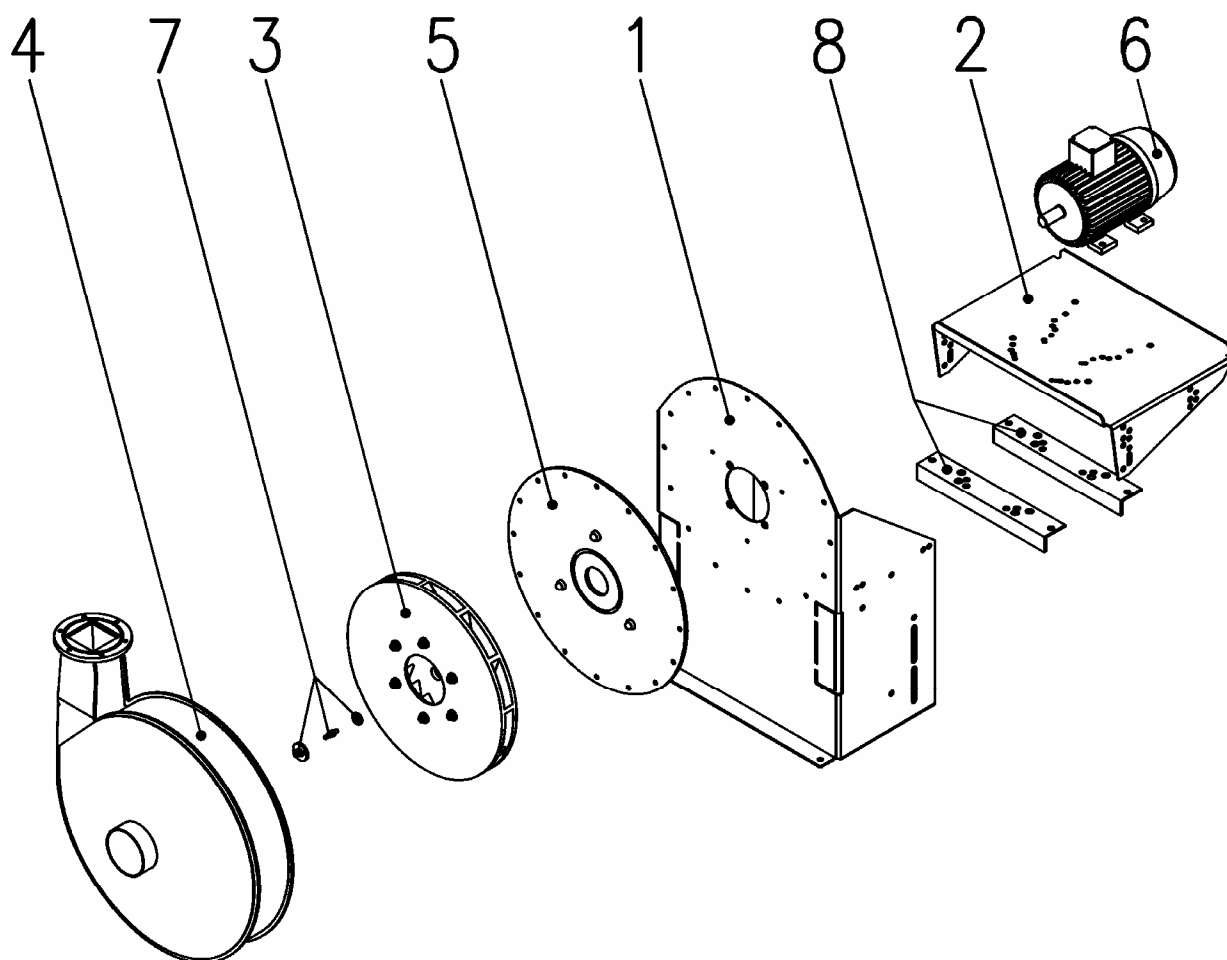


4. Install casing and V-belt protection

Dismantle in the same way but in reverse order

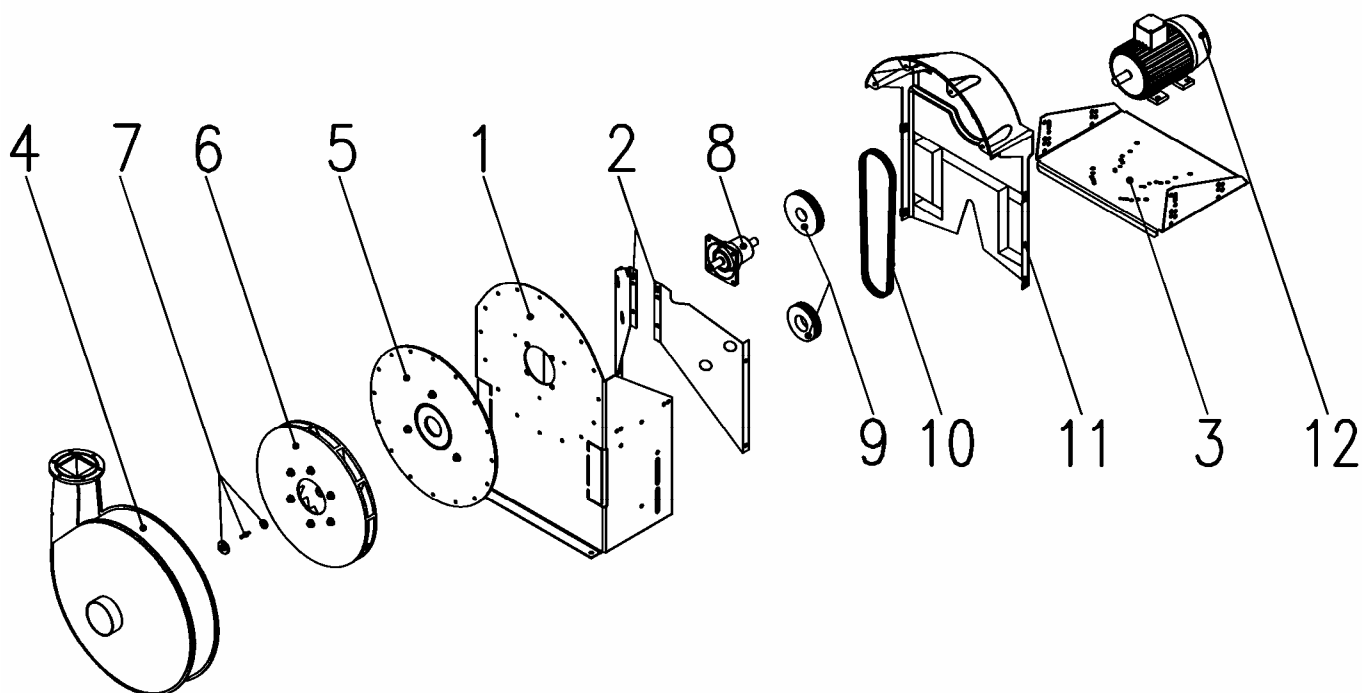
17 Spare parts list

17.1 Spare parts list for CHVS with direct drive



- 1 Support
- 3 Motor plate
- 4 Impeller
- 5 Casing
- 6 Back plate
- 7 Motor
- 8 Hub cap
- 8 Reinforcement bracket

17.2 Spare parts list for CHVS with V-belt drive



1. Support
2. Reinforcement plates
3. Motor plate
4. Casing
5. Back plate
6. Impeller
7. Hub cap
8. Flange bearing unit
9. V-belt disks
10. V-belt
11. V-belt protection
12. Motor

Part 3: Certification

18 Certification

18.1 EC Declaration of Conformity

EG-Konformitätserklärung
 CE Déclaration de conformité
 EC Declaration of conformity

Wir
 Nous
 We

COLASIT AG
 Postfach 85
 CH-3700 Spiez


erklären in alleiniger Verantwortung, dass das Produkt
 déclarons de notre seule responsabilité que le produit
 bearing sole responsibility, hereby declare that the product

Kunststoff-Industrieventilator
Ventilateur industriel en plastique
Plastic industrial fan
CHVS 63-250


auf das sich diese Erklärung bezieht, mit der/den folgenden Norm(en) oder normativen
 Dokumenten übereinstimmt:

auquel se rapporte la présente déclaration est conforme aux normes ou aux documents normatifs
 suivants:

referred to by this declaration is in conformity with the following standards or normative documents:

Bestimmungen der Richtlinie Désignation de la directive Provisions of the directive	Titel und/oder Nummer sowie Ausgabedatum der Norm(en): Titre et/ou numéro ainsi que date d'émission de la/des norme(s): Title and/or number and date of issue of the standard(s):																
2006/42/EG: Maschinensicherheit 2006/42/CE: Sécurité des machines 2006/42/EC: Machinery safety	EN ISO 12100-1: 2004 EN ISO 12100-2: 2004 EN ISO 14121-1: 2007 EN ISO 13857: 2008 EN 60204-1: 2006																
2004/108/EG: Elektromagnetische Verträglichkeit 2004/108/CE: Compatibilité électromagnétique 2004/108/EC: Electromagnetic compatibility	EN 61000-6-2: 2005																
Name und Adresse des Dokumentationsverantwortlichen: Nom et adresse de la personne responsable de la documentation: Name and address of the person authorised to compile the relevant technical documentation:	Andreas Roth COLASIT AG Faulenbachweg 63 CH-3700 Spiez																
94/9 EG: Geräte und Schutzsysteme zur bestimmungsgemässen Verwendung in explosionsgefährdeten Bereichen 94/9 CE: Appareils et système de protection destinés à une utilisation correcte en atmosphère explosibles 94/9 EC: Equipment and protective systems intended for use in potentially explosive atmospheres	EN 1127-1: 2008 EN 13463-1: 2009 EN 13463-5: 2005 EN 14986: 2007																
Bei Verwendung im Ex-Bereich Pour utilisation dans zone Ex For use in Ex zones																	
Ex-Kennzeichnung: Marquage Ex: Ex Marking:	 <table style="display: inline-table; vertical-align: middle;"> <tr> <td>II 3/- G</td> <td>c T3</td> <td>oder</td> <td>c T4</td> </tr> <tr> <td>II 3/3 G</td> <td>c T3</td> <td>ou</td> <td>c T4</td> </tr> <tr> <td>II 2/3 G</td> <td>c T3</td> <td>or</td> <td>c T4</td> </tr> <tr> <td>II 2/2 G</td> <td>c T3</td> <td></td> <td>c T4</td> </tr> </table> <p style="margin-left: 100px;">gem. Typenschild selon la plaque signalétique acc. to the rating plate</p>	II 3/- G	c T3	oder	c T4	II 3/3 G	c T3	ou	c T4	II 2/3 G	c T3	or	c T4	II 2/2 G	c T3		c T4
II 3/- G	c T3	oder	c T4														
II 3/3 G	c T3	ou	c T4														
II 2/3 G	c T3	or	c T4														
II 2/2 G	c T3		c T4														

Spiez, 19.07.2011


 U. Moser (Leiter Technik/Responsable dép. technique/Chief technical officer)

ATEX Declaration of Conformity

ATEX Declaration of Conformity

Equipment, components and protection systems for use for their intended purpose in explosion protected zones – **Directive RL 94/9/EC (ATEX)**

Document number: **TD-000 807**

Product designation: High pressure radial fan CHVS 63-250 ATEX

Manufacturer: COLASIT AG
Postfach 85
3700 Spiez

Product description: Plastic industrial fan for the conveyance of chemically aggressive gases, vapour or correspondingly contaminated air.

The conformity assessment process was conducted in compliance with Directive 94/9/EC (ATEX). The results are recorded in the confidential **Test Report TD-610-22-3**. All related documents are kept at the centres named below:


QS Zürich AG, named centre CE 1254
Wehntalerstrasse 3
CH-8057 Zürich


COLASIT hereby certifies compliance with the basic health and safety requirements for the design and manufacture of equipment and protection systems for use for their intended purpose in explosive atmospheres in compliance with Annex II of the Directive.


The following harmonised standards were applied:


EN 1127-1: Explosive atmospheres – Explosion protection, Part 1, 2008
EN 13463-1: Non-electrical equipment for potentially explosive atmospheres, Part 1, 2009
EN 13463-5: Non-electrical equipment for potentially explosive atmospheres, Part 5, 2005
EN 14986: Design of fans working in potentially explosive atmospheres, 2007

The marking on the appliance must comprise the following information:

 II 3/- G c T4 (conveyed medium Zone 2, site of installation no zone)

 II 3/3 G c T4 (conveyed medium Zone 2, site of installation Zone 2)

 II 2/3 G c T4 (conveyed medium Zone 1, site of installation Zone 2)

 II 2/2 G c T4 (conveyed medium Zone 1, site of installation Zone 1)

The associated operating instructions contain important safety instructions and regulations for putting the named equipment into operation in compliance with Directive 94/9/EC (ATEX).

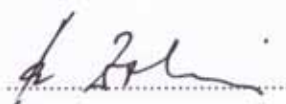
Changes to the named equipment are prohibited except with the manufacturer's express approval in writing.

If the named equipment is built into a higher level machine, the new risks ensuing from the integration must be assessed by the manufacturer of the new machine.

Spiez, 16 april 2009



ATEX Officer



On behalf of the executive management

Enclosure

Declaration of Conformity No. TD-000 807

Description of appliance or protective system:

The radial fans CHVS 63-250 ATEX (rated widths: 63/90/125/160/200/225) with direct drive and V-belt drive extract room air or process exhaust air. They are directly or indirectly driven by electric motors via V-belts.

Special conditions: If the fans are operated within explosive atmospheres in Zone 1 or 2, they may only be driven by motors for which an appropriate approval (EC type test certificate) has already been issued.

Temperature Class T4: If the site of installation is Zone 1/2, an explosion proof motor with temperature class T4 must be fitted. If an explosion proof motor with temperature class T3 is used, temperature class 3 shall apply to the entire fan.

Ambient temperature: T 0-40°C
Maximum temperature of intake medium: 60°C

The minimum flow velocity through the fan must be minimum 5m/s.

On versions with V-belt drive, only V-belts may be used if they conform with the requirements of EN 13463-5 Chap. 7.2 and possess an appropriate factory certificate in compliance with EN 10204-2.1.
All service and repair work must be carried out by trained service personnel.

Additional information: The radial fans of Equipment Category 3 may only be used to extract gases where the frequency of occurrence of combustible or explosive atmospheres is equivalent to Ex-Zone 2.

Basic safety and health requirements:

Fulfilled by standards.

This certificate may only be copied in full without any changes.

18.2 Other certificates

The following certificates are enclosed with this operating manual:

- Design papers
- ATEX Certification/Inspection report for fan
- ATEX Certification/Inspection report for electric motor (if this was supplied by COLASIT)



19 Form for the correct assembly of ATEX fans

With ATEX-certified fans, this form must be completed by the fitting team. It serves to verify the proper mounting of the fan and its operating conditions. The completed form must be kept by the safety officer or operating company. It forms the basis of a test voucher quality system which is stipulated by standard EN 14986 (Design of fans for use in explosive atmospheres).

The fitting team shall certify that they have properly executed the following work:

- The fan is mounted on suitable vibration dampers. They are mechanically secured so that the fan cannot slip away or wander.
- For the transitions from the fan to the duct system, elastic sleeves were used to prevent any vibrations from being transferred to the fan.
- The intake and pressure ducting are connected close to the fan.
- With free intake/blow off fans, a protective grating with a mesh width of 10mm is fitted.
- The clearance between the impeller and the casing is min 5mm and max 20mm.
- All rotating parts are protected against unintentional contact.
- The fan is installed so that the motor is supplied with sufficient cooling air (distance to walls, etc.)
- The motor is properly connected in accordance with the manufacturer's instructions (operating manual). The same applies to the PTC resistor, if fitted.
- The motor and the fan is connected to a potential equalisation system.

Test run:

- The minimum air flow through the fan is min 5m/s and max 30m/s.
- The maximum vibration velocity in operation is not greater than 5.1mm/s measured at the bearings (V-belt drive) or the motor (direct drive).
- The operating temperature is lower than the maximum permitted operating temperature specified on the rating plate.
- The motor current draw is lower than the rated current specified on the rating plate.

If one or more of the works listed above cannot be carried out, please contact the supplier of the manufacturer.

Company name:

Order number:

Fan type:

Name of fitter:

Place and date:

Signatur:

