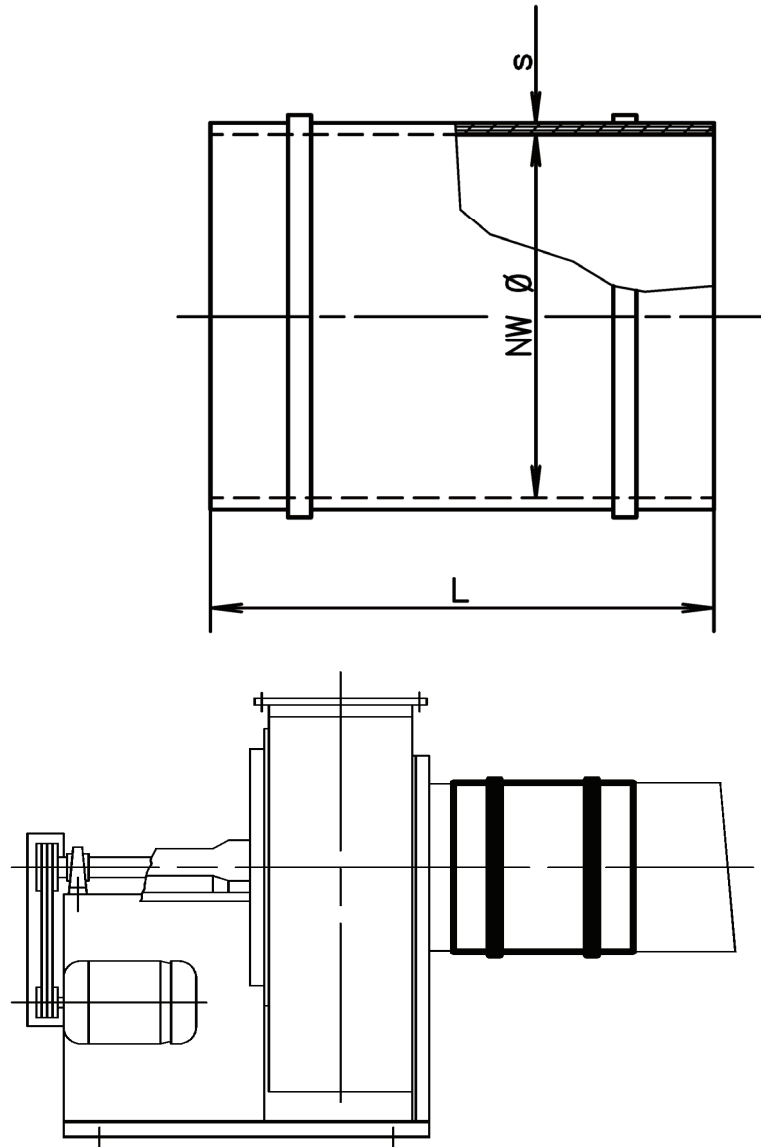
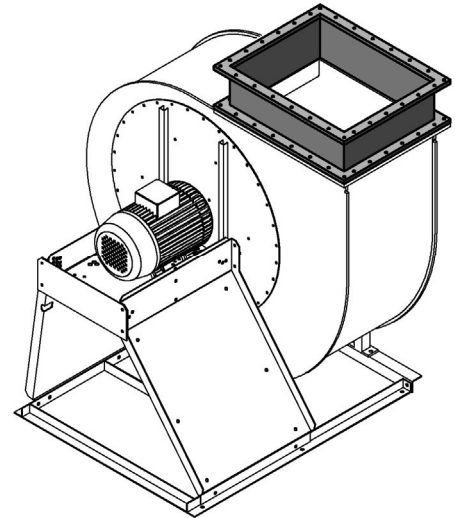
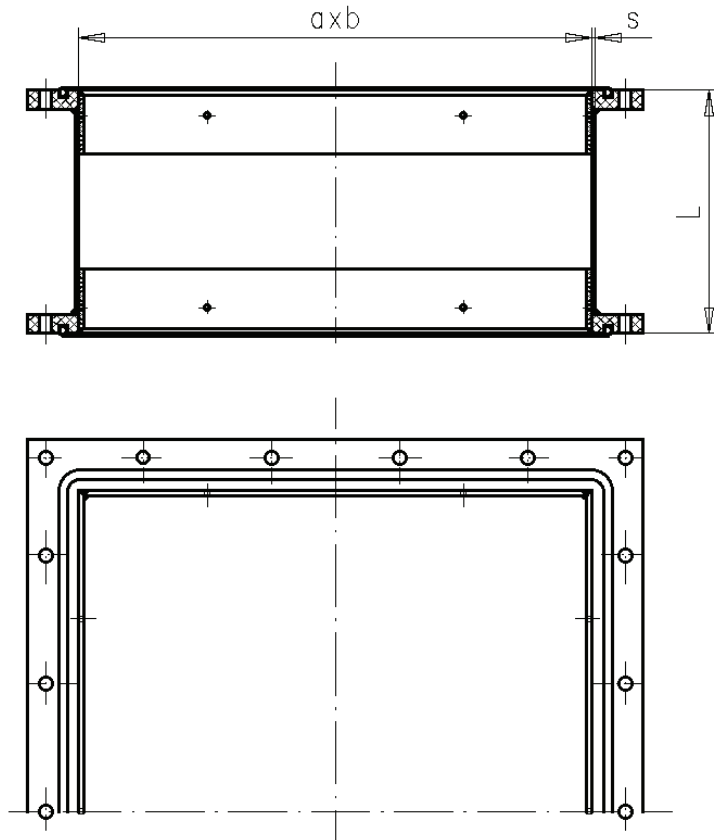


Sleeve round with fixing bands, stainless


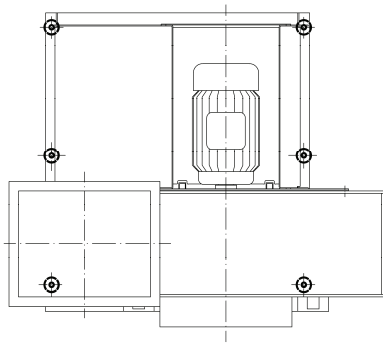
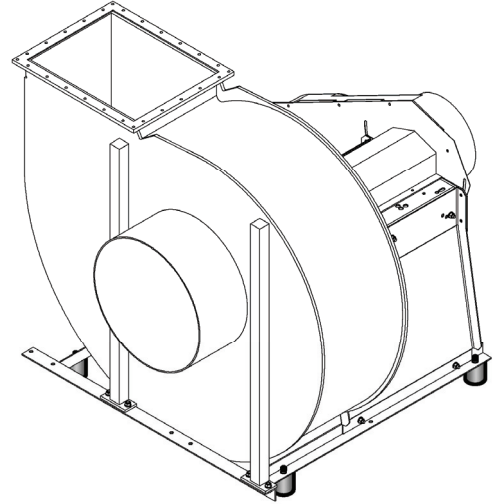
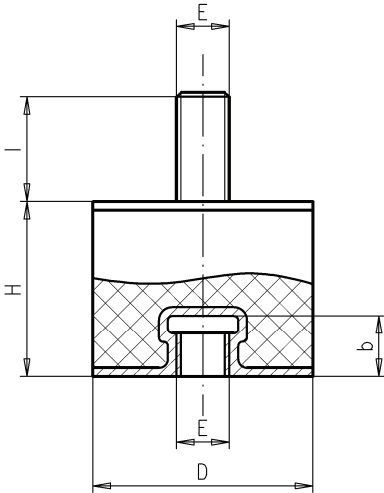
| NW Ø | L | s |
|----------|-----|---|
| 315 | 100 | 3 |
| 355-400 | 125 | 3 |
| 450-500 | 160 | 3 |
| 560-710 | 200 | 3 |
| 800-1250 | 250 | 3 |

Sleeve rectangular with flanges on both sides (PVC)

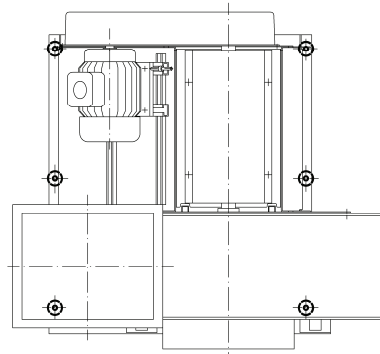


| Fan Type CHVN | a x b | Measurements | |
|------------------|-------------|--------------|---|
| | | L | S |
| 315 | 424 x 188 | 130 | 3 |
| 355 | 488 x 224 | 155 | 3 |
| 400 | 546 x 258 | 155 | 3 |
| 450 | 450 x 355 | 190 | 3 |
| 500 | 500 x 400 | 190 | 3 |
| 560 | 560 x 450 | 240 | 3 |
| 630 | 630 x 500 | 240 | 3 |
| 710 | 710 x 560 | 240 | 3 |
| 800 | 800 x 630 | 290 | 3 |
| 900 | 900 x 710 | 290 | 3 |
| 1000 | 1000 x 800 | 290 | 3 |
| 1120 | 1120 x 900 | 290 | 3 |
| 1250 | 1250 x 1000 | 290 | 3 |

Vibration absorbers



Direct drive

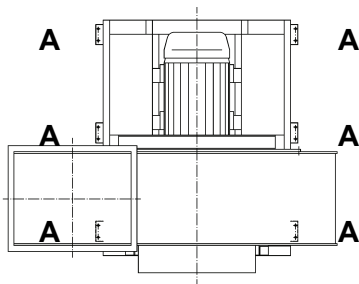
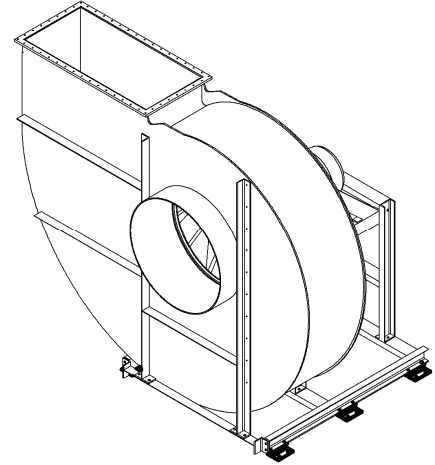
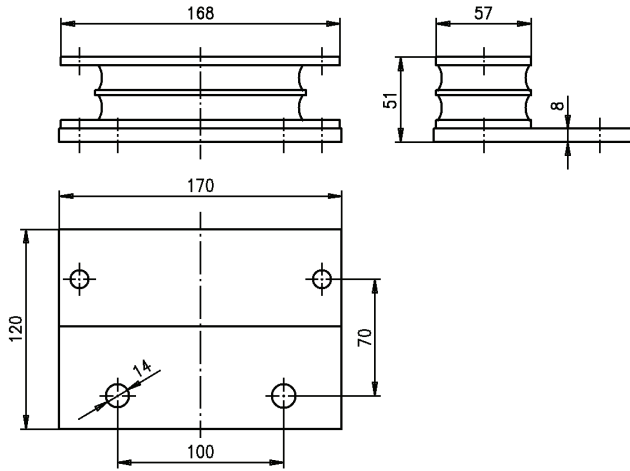


V-belt drive

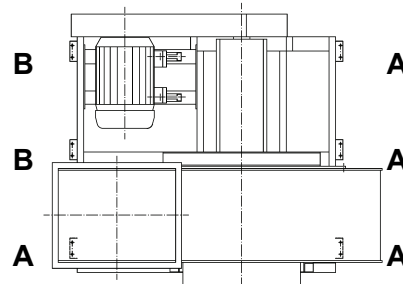
| Vibration absorbers Type | Measurements | | | | |
|-----------------------------|--------------|----|-----|----|----|
| | D | H | E | I | b |
| V 8/40 | 40 | 40 | M8 | 23 | 7 |
| V 8/50 | 50 | 40 | M10 | 25 | 10 |

| Fan Type CHVN | Type | Number of elements |
|---------------|--------|--------------------|
| 315-450 | V 8/40 | 6 |
| 500-710 | V 8/50 | 6 |

Vibration absorbers



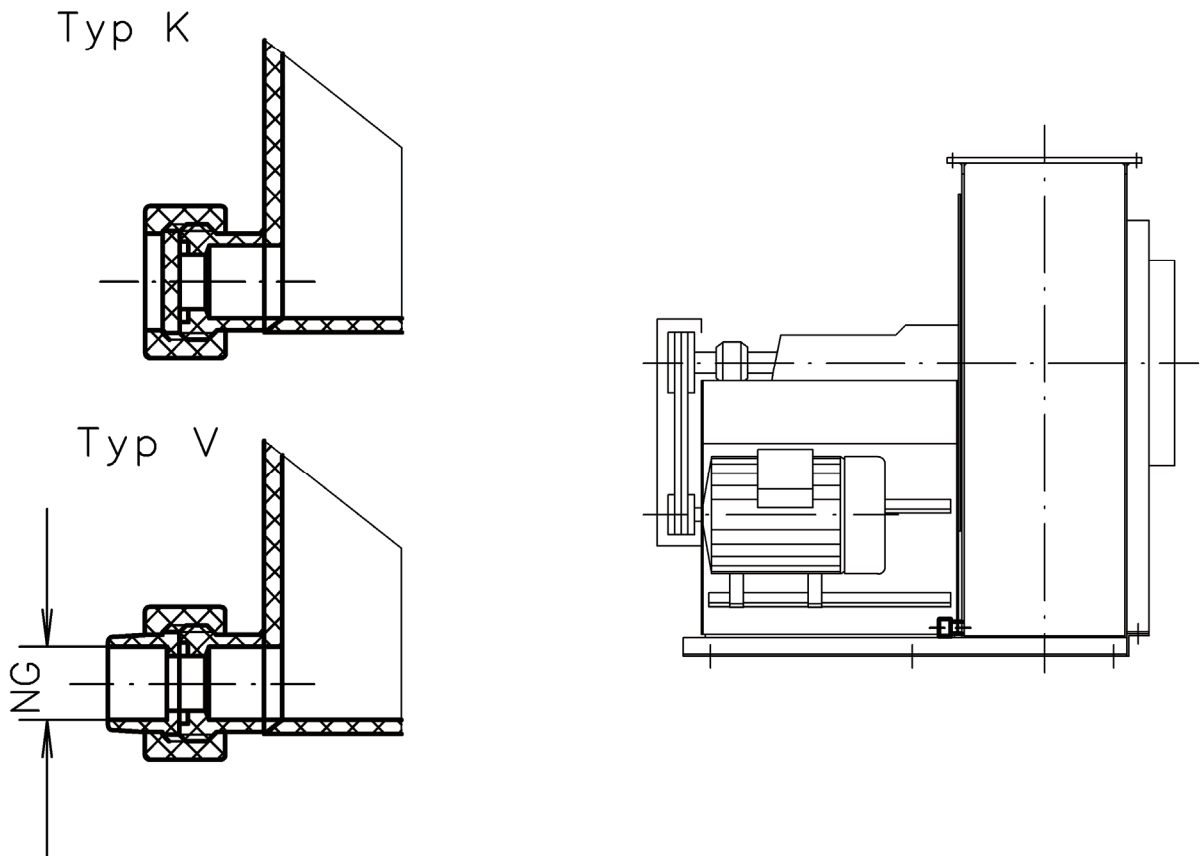
Direct drive



V-belt drive

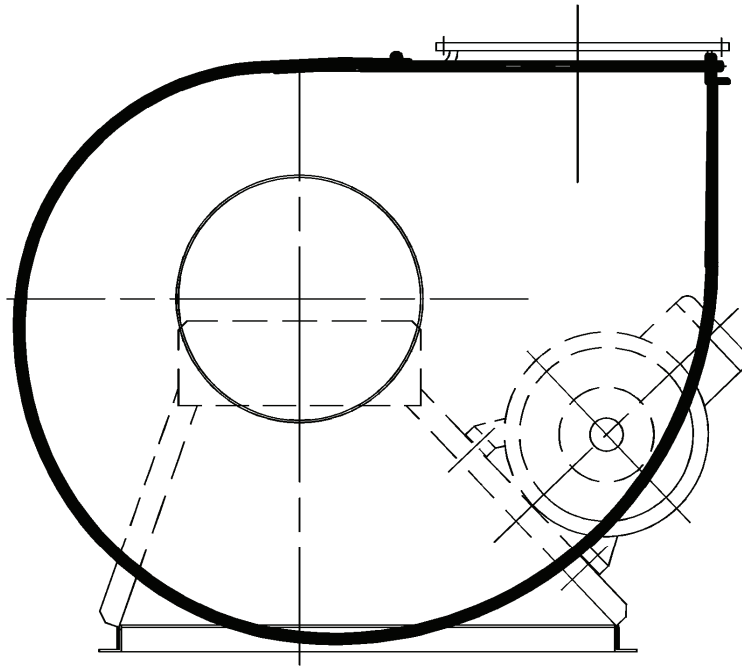
| Fan Type CHVN | Motor-weight kg | Number of elements | | | | | |
|---------------|-----------------|--------------------|------------------|------------------|------------------|------------------|------------------|
| | | Direct drive | | V-belt drive | | | |
| | | Position A 45°Sh | Position A 45°Sh | Position B 45°Sh | Position B 55°Sh | Position B 65°Sh | Position B 70°Sh |
| 800 | < 300 | 6 | 4 | 2 | | | |
| | 300-550 | 6 | 4 | | 2 | | |
| | 550-800 | 6 | 4 | | | 2 | |
| 900 | < 300 | 6 | 4 | 2 | | | |
| | 300-550 | 6 | 4 | | 2 | | |
| | 550-800 | 6 | 4 | | | 2 | |
| 1000 | < 300 | 6 | 4 | 2 | | | |
| | 300-550 | 6 | 4 | | 2 | | |
| | 550-800 | 6 | 4 | | | 2 | |
| | 800-1100 | 6 | 4 | | | | 2 |
| 1120 1250 | < 300 | 6 | 4 | 2 | | | |
| | 330-550 | 6 | 4 | | 2 | | |
| | 550-800 | 6 | 4 | | | 2 | |
| | 800-1100 | 6 | 4 | | | | 2 |

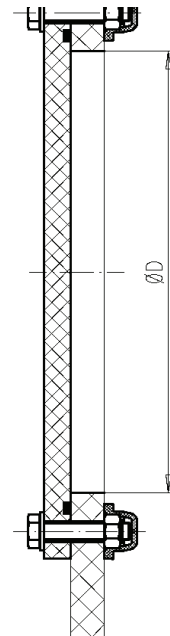
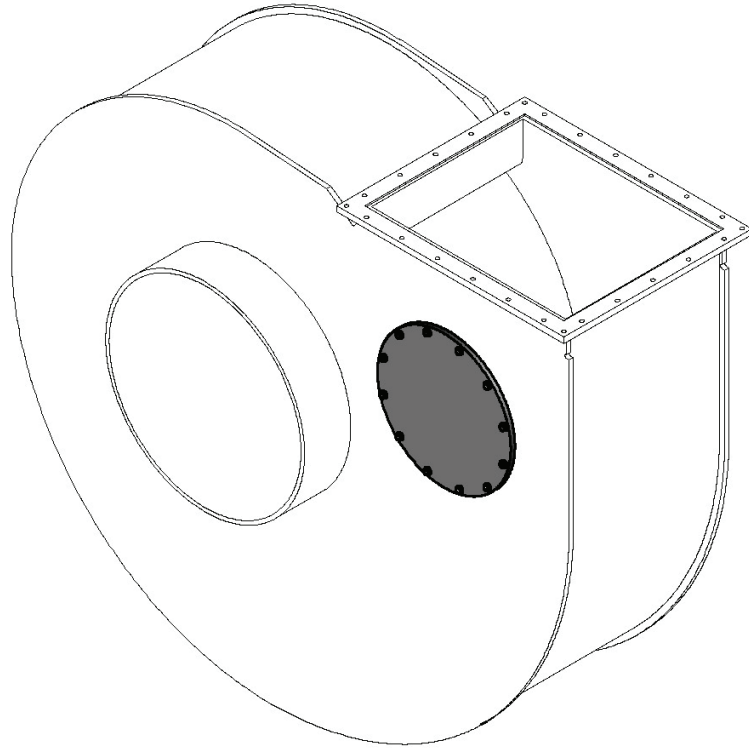
Drain



| Fan Type | with cap | with fitting | NG |
|---------------|----------|--------------|----|
| CHVN 315-1250 | Type K | Type V | 25 |

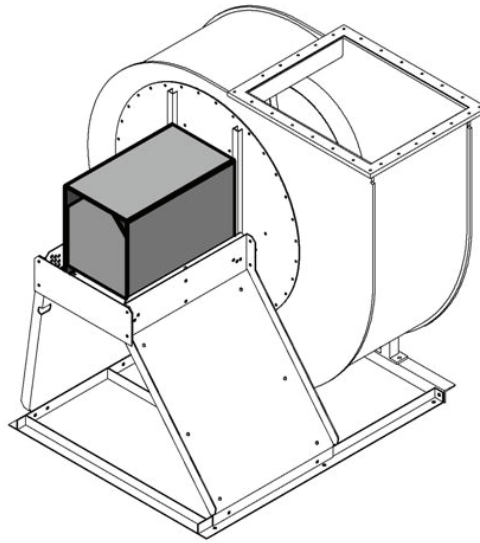
Splinter protection



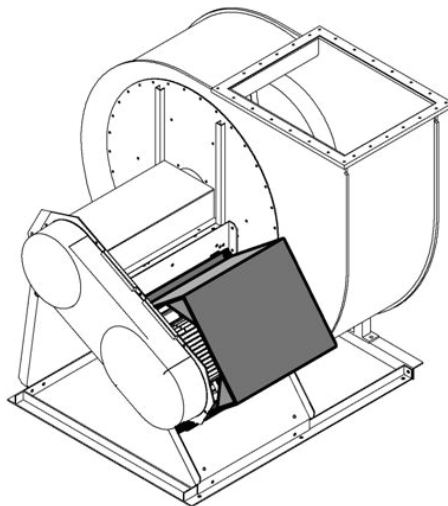
Inspection hole

| Fan Type | Ø D |
|---------------|-----|
| CHVN 315-560 | 200 |
| CHVN 630-1250 | 315 |

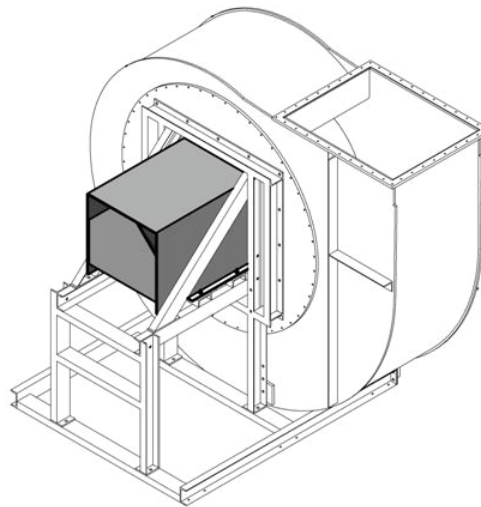
Motor cover direct drive



Motor cover v-belt drive



Motor cover direct drive



Motor cover v-belt drive

