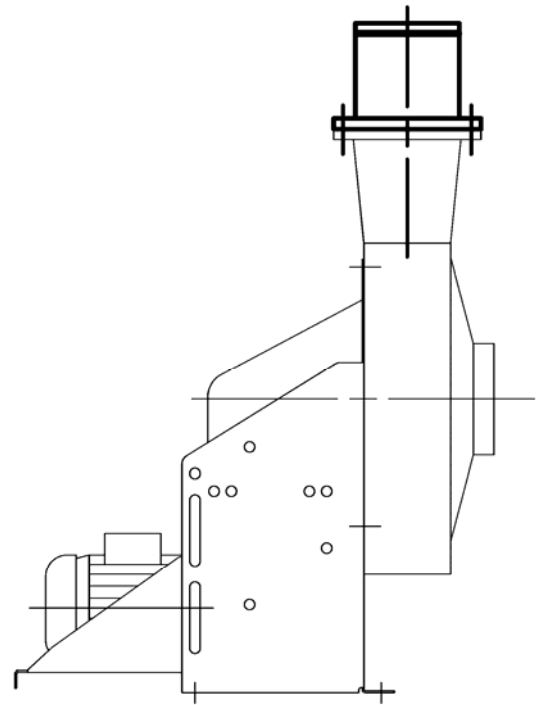
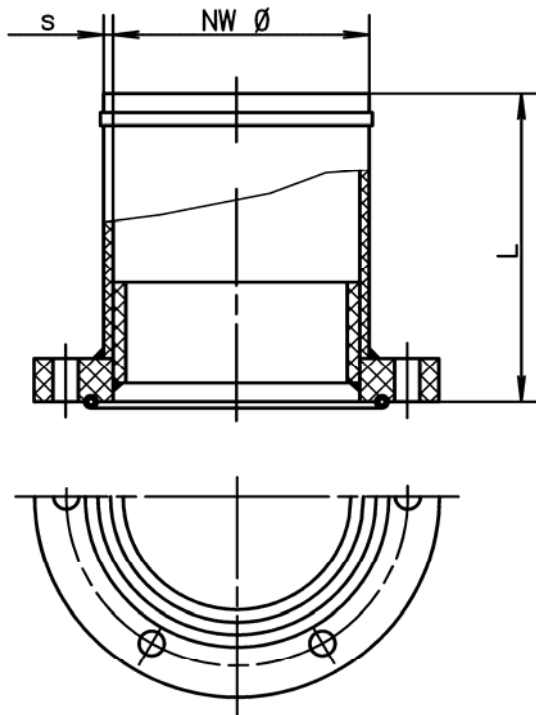
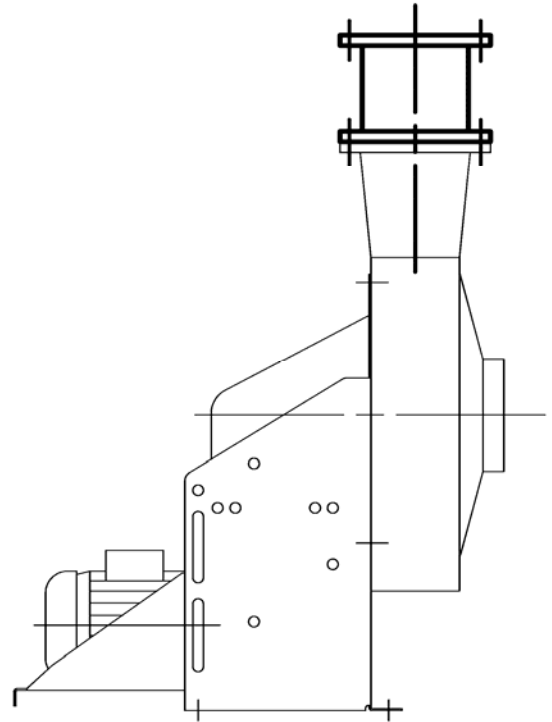
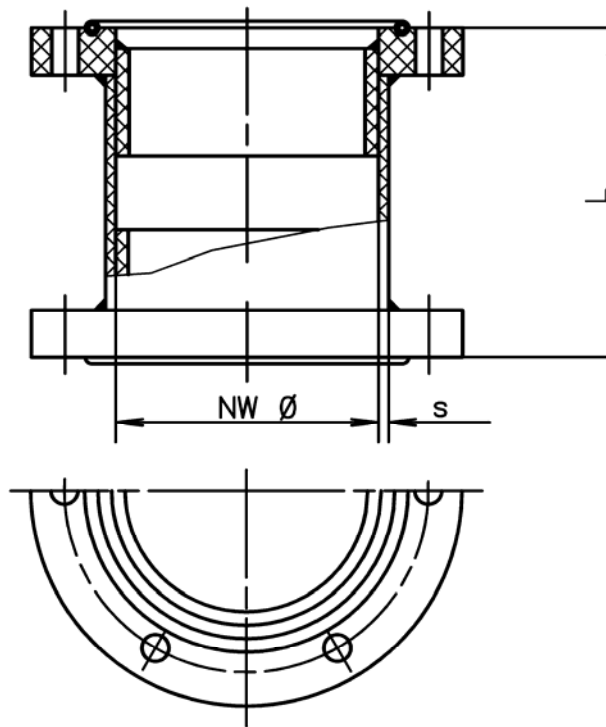


Sleeve with flange on one side (PVC)

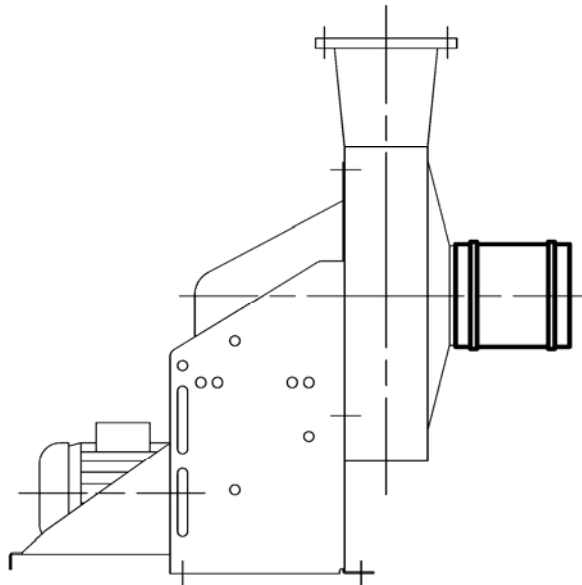
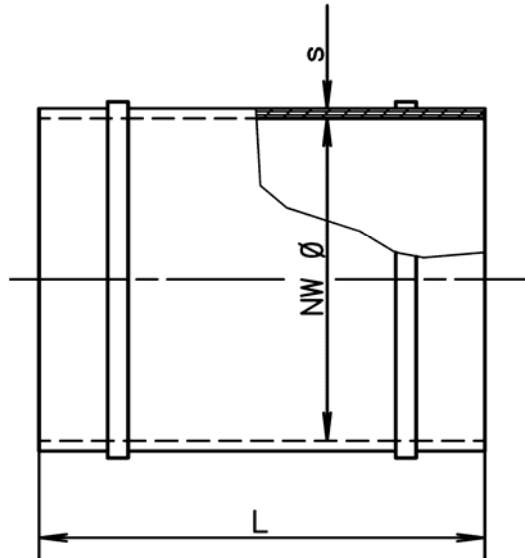


NW Ø	L	s
63 - 160	100	2

Sleeve round with flanges on both sides (PVC)

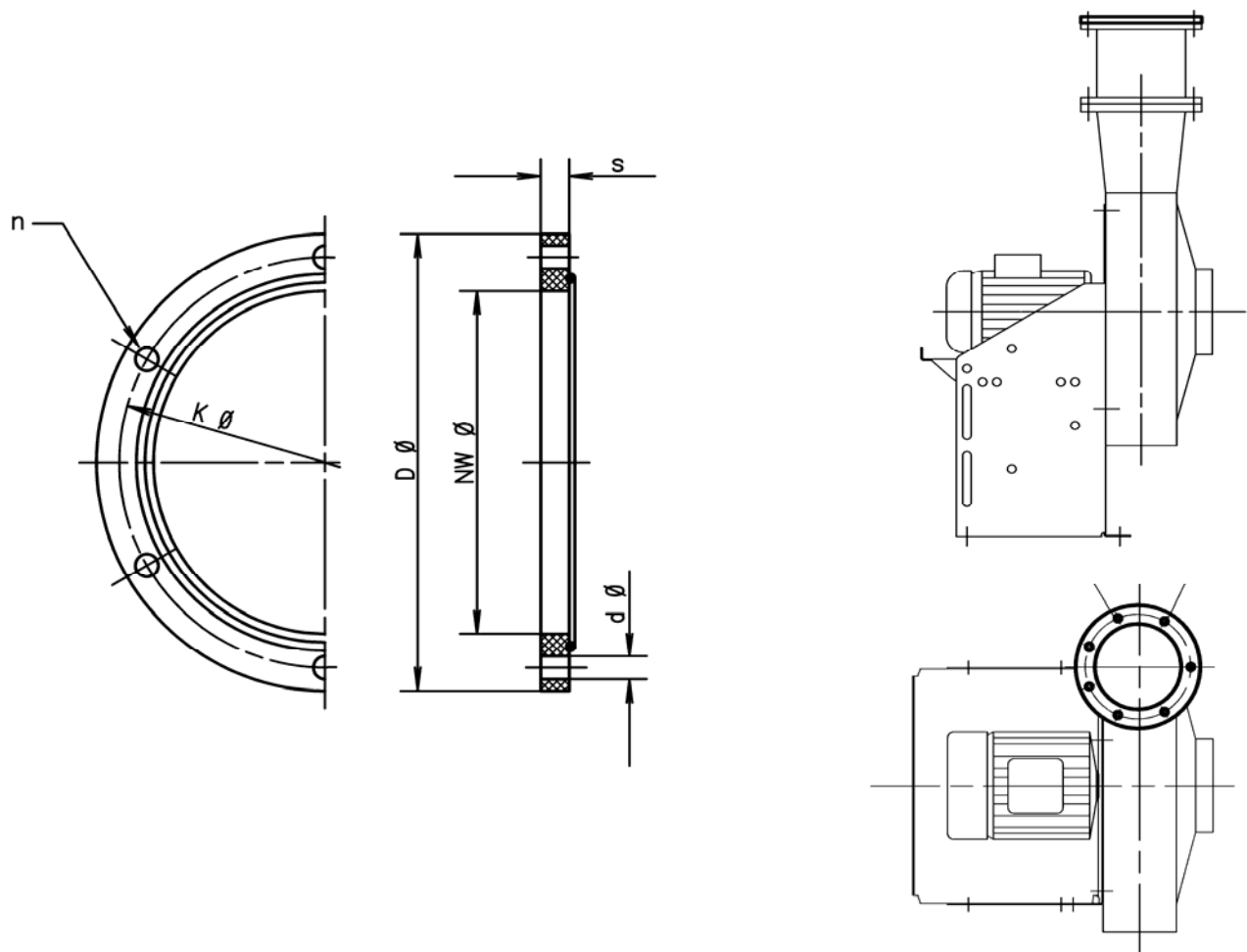


NW Ø	L	s
63 - 90	120	2
125 - 160	124	2

Sleeve PVC round with fixing bands, stainless


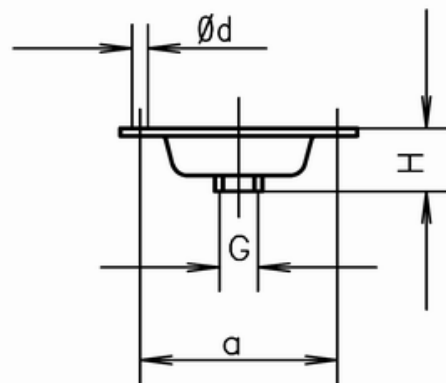
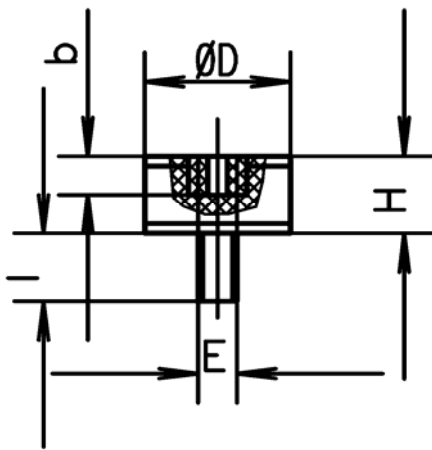
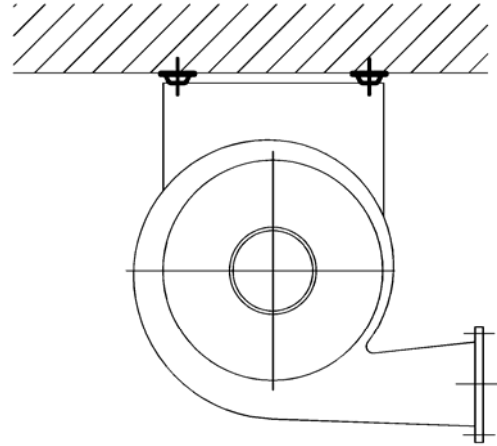
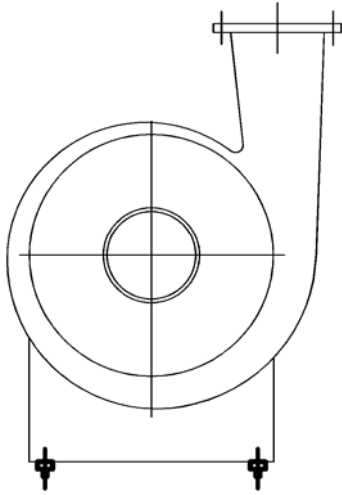
NW Ø	L	s
63-160	100	2

Flange PP / PPs / PVC / PE / PVDF



NW Ø	D	s	Measurements			n	Pos
			K	d			
63	120	12	95	9	6 x 60°	A	
90	150	12	125	9	6 x 60°	A	
125	185	12	160	9	6 x 60°	A	
160	220	12	195	9	8 x 45°	B	

Vibration absorbers for ground erection or ceiling suspension

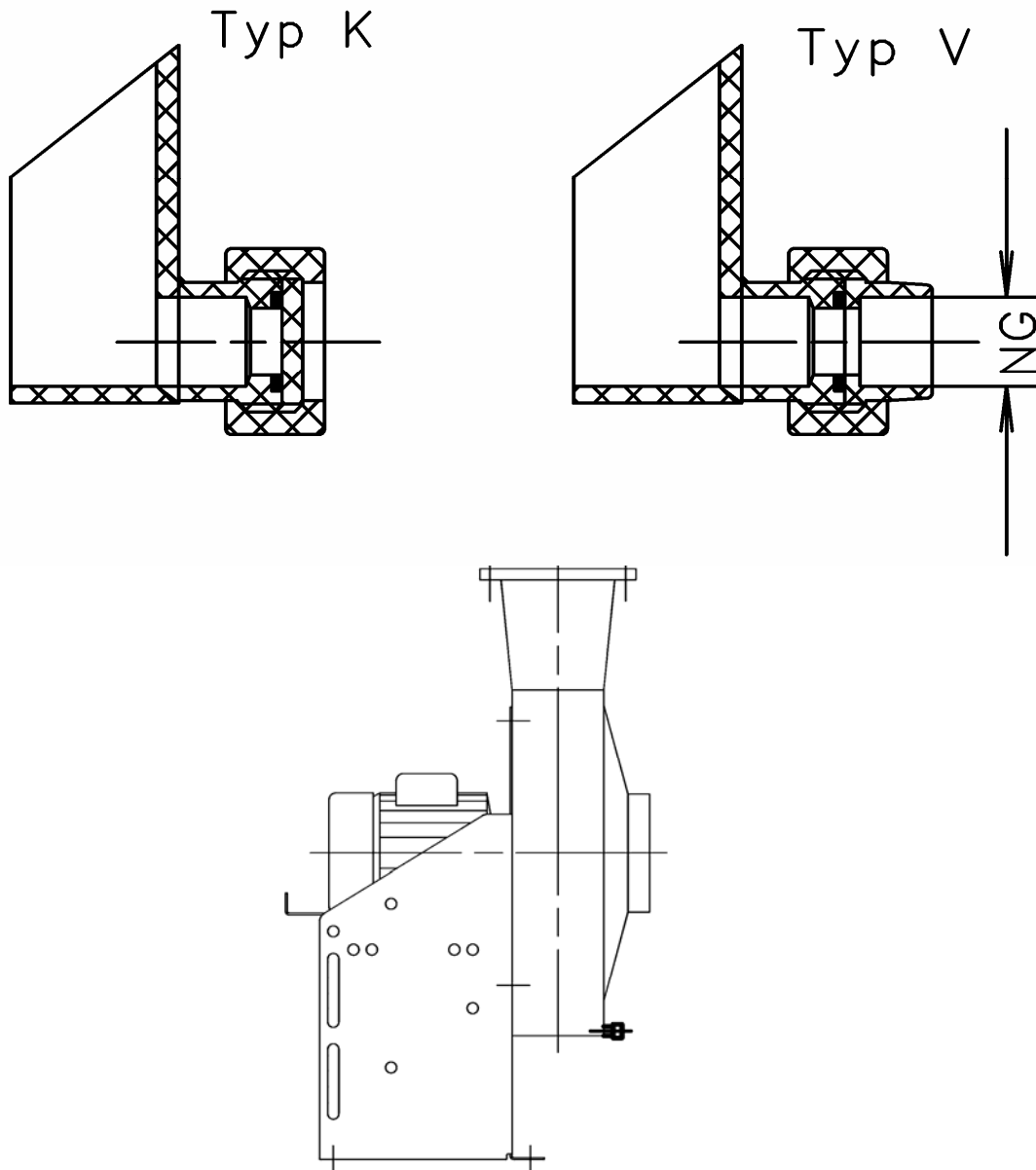


Vibration absorbers type	Measurements				
	D	H	E	I	b
V 8/40	40	40	M8	23	7

Bell elements type	Measurements			
	H	G	a	d
G-E 10	30	M10	85	10.5

Fan Type	for ground erection	for ceiling suspension	Number of elements
CHVK 63-160	V 8/40	G-E 10	4

Drain



Fan Type	with cap	with fitting	NG
CHVK 63-160	Typ K	Typ V	20

Splinter protection

