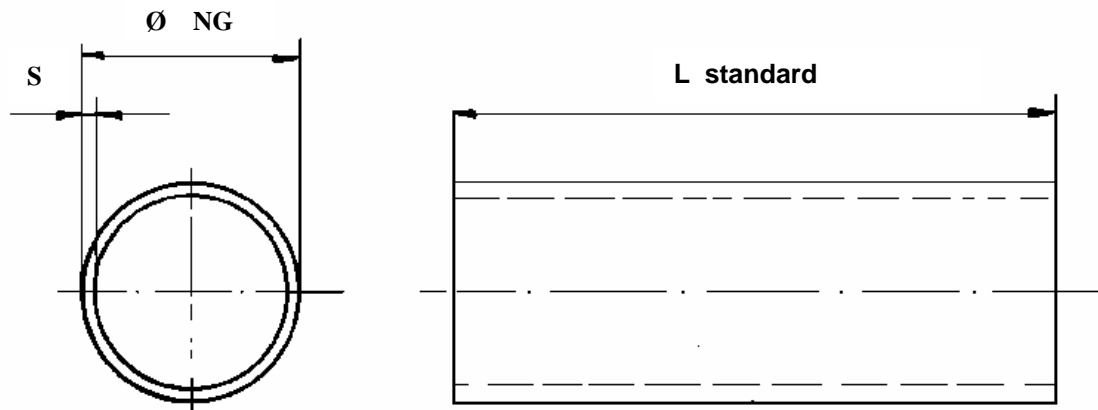


Ventilation duct

Dimensional drawing
Material

No. 1.010
PVC / PP / PPs / PE

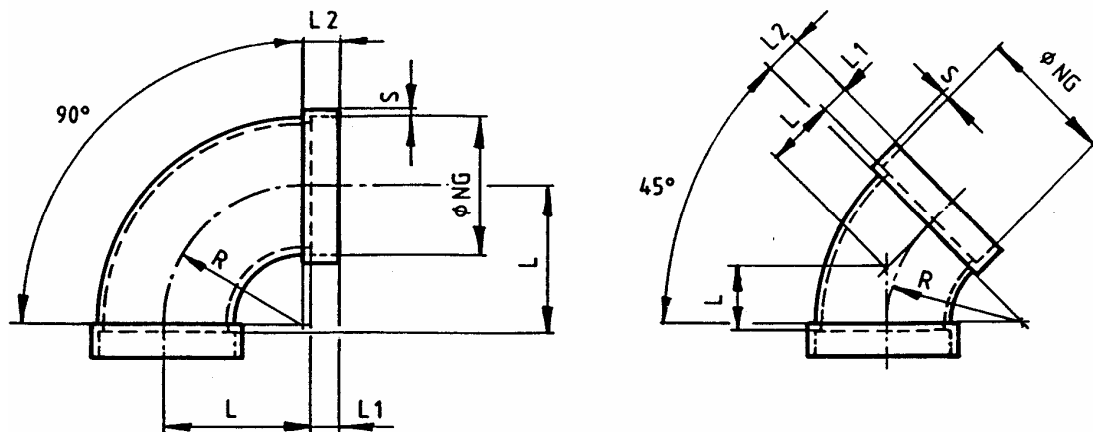


Ø NG	PVC		PP		PPs		PE	
	S	L	S	L	S	L	S	L
63	1.8	5000	1.8	5000	3	5000	2	5000
75	1.8	5000	1.9	5000	3	5000	1.9	5000
90	1.8	5000	2.2	5000	3	5000	2.2	5000
110	1.8	5000	2.7	5000	3	5000	2.7	5000
125	1.8	5000	3.1	5000	3	5000	3.1	5000
140	1.8	5000	3.5	5000	3	5000	3.5	5000
160	1.8	5000	4	5000	3	5000	4	5000
180	1.8	5000	4.4	5000	3	5000	4.4	5000
200	1.8	5000	4.9	5000	3	5000	4.9	5000
225	1.8	5000	5.5	5000	3.5	5000	5.5	5000
250	2.0	5000	6.2	5000	3.5	5000	6.2	5000
280	2.3	5000	6.9	5000	4	5000	6.9	5000
315	2.5	5000	7.7	5000	5	5000	7.7	5000
355	2.9	5000	8.7	5000	5	5000	8.7	5000
400	3.2	5000	9.8	5000	6	5000	9.8	5000
450	3.6	5000	7	5000	5	5000	4	4000
500	4	5000	8	5000	5	5000	5	4000
560			5	5000	5	4000	6	4000
600	5	5000						
630			5	4000	5	4000	6	4000
710			5	4000	5	4000	6	4000
800			6	4000	6	4000	8	4000
900			6	4000	6	4000	8	4000
1000			8	4000	8	4000	8	4000
1120			8	4000	8	4000	10	4000
1250			8	4000	8	4000	10	4000

90°/45° “Beck” bends

Dimensional drawing
Material

No. 1.011
PVC

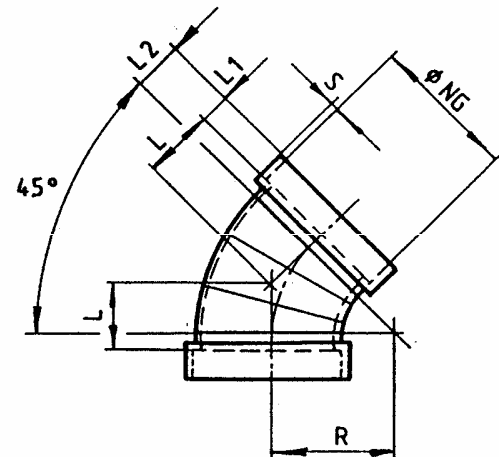
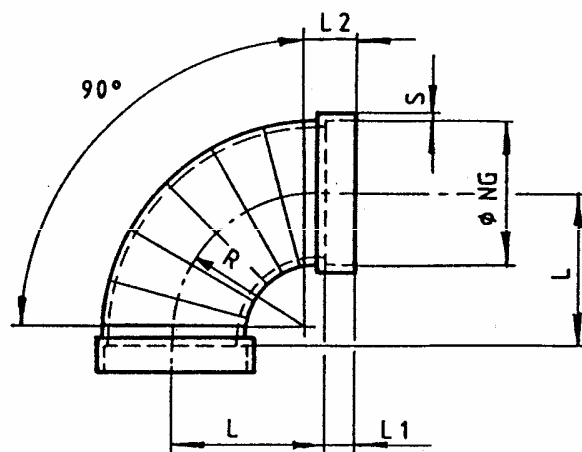


Ø NG	R	L1	L2	S	L90°	L45°
75	75	30	40	3	85	42
90	90	30	40	3	100	48
110	110	40	50	3	120	58
125	125	40	50	3	135	62
140	140	40	50	3	150	69
160	160	40	50	3	170	76
180	180	50	60	3	190	86
200	200	50	60	3	210	94
225	225	50	60	3	235	104
250	250	45	55	3	260	114
280	280	50	60	3	290	126
315	315	60	70	3	325	142
355	355	60	70	4	365	158
400	400	60	70	4	410	176

90°/45° “Beck” bends

Dimensional drawing
Material

No. 1.012
PP / PPs / PE

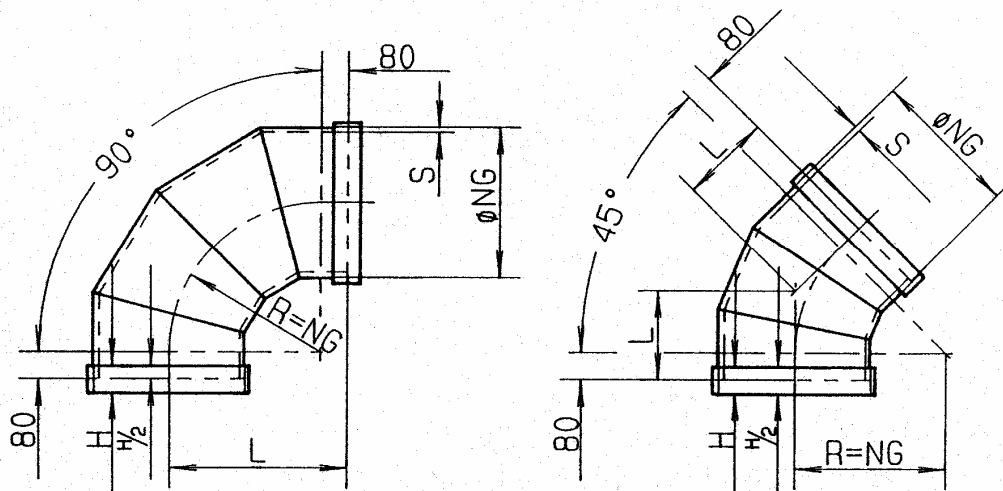


Ø NG	R	L1	L2	S	L90°	L45°
75	75	35	45	3	85	42
90	90	35	45	3	100	48
110	110	35	45	3	120	58
125	125	35	45	3	135	62
140	140	35	45	3	150	69
160	160	35	45	3	170	76
180	180	35	45	3	190	86
200	200	45	55	3	210	94
225	225	45	55	3.5	235	104
250	250	50	60	3.5	260	114
280	280	50	60	4	290	126
315	315	50	60	5	325	142
355	355	50	60	5	365	158
400	400	50	60	6	410	176

90°/45° duct-segment bends

Dimensional drawing
Material

No. 1.013
PVC / PP / PPs / PE

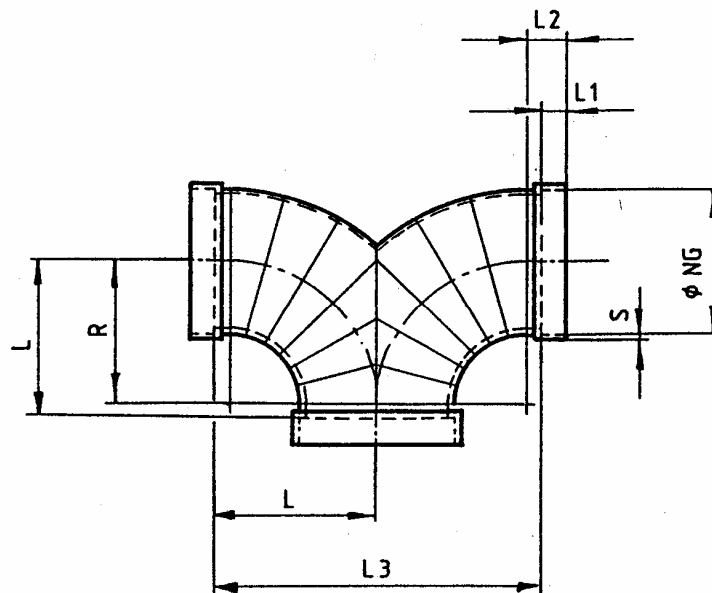


Ø NG	L 90°	L 45°	H	PVC S	PP S	PPs S	PE S
450	530	266	80	3.6	6.9	7	11
500	580	287	80	4	10	8	12.2
560	640	312	80	5	10	5	13.7
630	710	341	100	7.9	5	10	6
710	790	374	100	5.6	5	5	6
800	880	411	100	6.3	6	6	8
900	980	453	100	7.1	8	8	8
1000	1080	494	100	7.9	8	8	8
1120	1200	544	100	6	8	8	10
1250	1330	598	100	9.9	8	8	10

90° Y- connecting piece

Dimensional drawing
Material

No. 1.014
PVC / PP / PPs / PE

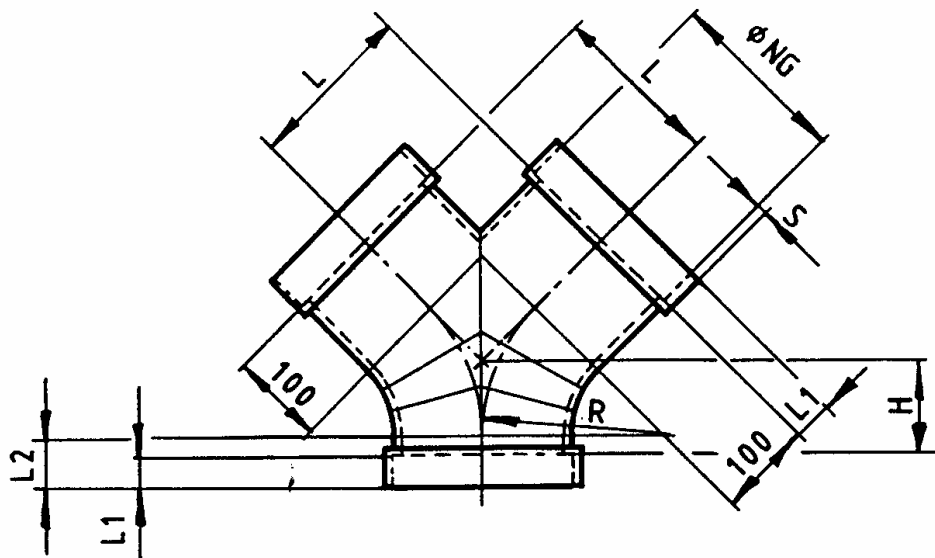


Ø NG	R	L1	L2	L3	L	S
75	75	25	35	170	85	3
90	90	25	35	200	100	3
110	110	25	35	240	120	3
125	125	25	35	270	135	3
140	140	25	35	300	150	3
160	160	35	45	340	170	3
180	180	35	45	380	190	3
200	200	45	55	420	210	3
225	225	45	55	470	235	3.5
250	250	50	65	530	265	3.5
280	280	50	65	590	295	4
315	315	50	65	660	330	5
355	355	50	65	740	370	5
400	400	50	65	830	415	6

45° Y- connecting piece

Dimensional drawing
Material

No. 1.015
PVC / PP / PPs / PE



Ø NG	R	L1	L2	H	L	S
75	75	25	35	41	131	3
90	90	25	35	47	137	3
110	110	25	35	56	147	3
125	125	25	35	62	152	3
140	140	25	35	68	158	3
160	160	35	45	77	167	3
180	180	35	45	85	175	3
200	200	45	55	93	183	3
225	225	45	55	103	193	3.5
250	250	50	65	118	203	3.5
280	280	50	65	132	217	4
315	315	50	65	181	231	5
355	355	50	65	163	248	5
400	400	50	65	188	266	6

