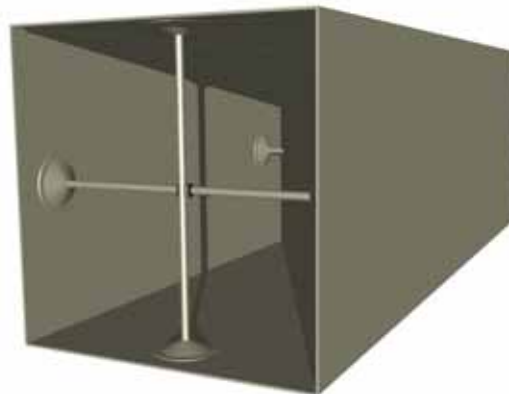


Ventilation ducting + fittings in plastic

Standards	The maximum amount of bending of the longest side for unstrengthened ducts is defined in DIN-Standard 4740 Part 5 for PVC and in DIN-Standard 4741 Part 5 for PPs.
Material	All ducts and fittings can be supplied in the following materials: PPs, flame-resistant according to DIN 4102 B1 PE, specially stabilised for outdoor use PVC, flame-resistant according to DIN 4102 B1 PP
Calculation	On the basis of the following data, COLASIT AG calculates and defines the optimum type of strengthening as required: <ul style="list-style-type: none"> - max. edge length - max. over-pressure and under-pressure in the ducting - Temperature of medium passing through - Permitted amount of bending
Types of strengthening	External strengthening using welded-on reinforcement profiles or internal stiffening using tubing. COLASIT AG usually uses specially developed internal stiffening elements.



Wall thickness for internally-strengthened ducts and maximum bending of 2% of edge length according to DIN 4741 T5

<i>Dimensions</i>	<i>PPs, PP max. loading +/- 1000 Pa</i>	<i>PE max. loading +/- 1000 Pa</i>	<i>PVC max. loading +/- 1500 Pa</i>
<i>110 – 500 mm</i>	<i>4 mm</i>	<i>4 mm</i>	<i>4 mm</i>
<i>501 – 1000 mm</i>	<i>6 mm</i>	<i>6 mm</i>	<i>6 mm</i>
<i>1001 – 2000 mm</i>	<i>8 mm</i>	<i>8 mm</i>	<i>8 mm</i>

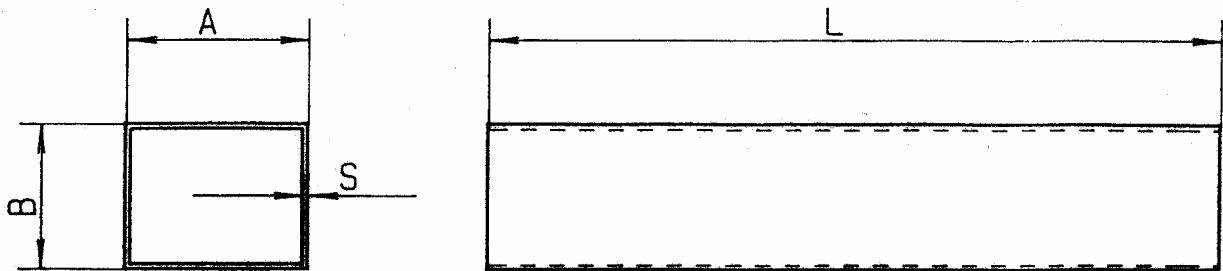
Standard ventilation components

rectangular

Duct < 600 mm

Dimensional Drawing
Material

No. 1.040
PVC / PP / PPs / PE



Dimension A	Dimension B	L	PVC S	PP / PPs / PE S
110	110	2000	4	4
200	110	2000	4	4
200	200	2000	4	4
300	110	2000	4	4
300	200	3000	4	4
300	300	3000	4	4
400	110	3000	4	4
400	200	3000	4	4
400	300	3000	4	4
400	400	3000	4	4
500	110	3000	4	4
500	200	3000	4	4
500	300	3000	4	4
500	400	3000	4	4
500	500	3000	4	4
600	110	3000	6	6
600	200	3000	6	6
600	300	3000	6	6
600	400	3000	6	6
600	500	3000	6	6
600	600	3000	6	6

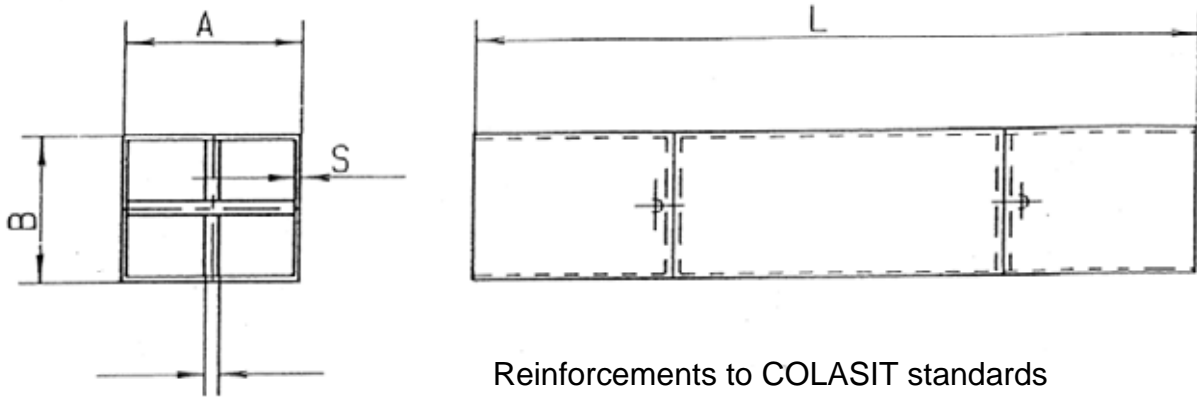


Standard ventilation components *rectangular*

Duct > 600 mm

Dimensional Drawing
Material

No. 1.041
PVC / PP / PPs / PE



Dimension A / B	Length L	S
700/110	3000	6
700/200	3000	6
700/300	3000	6
700/400	3000	6
700/500	3000	6
700/600	3000	6
700/700	3000	6
800/110	3000	6
800/200	3000	6
800/300	3000	6
800/400	3000	6
800/500	3000	6
800/600	3000	6
800/700	3000	6
800/800	3000	6
900/110	3000	6
900/200	3000	6

Dimension A / B	Length L	S
900/300	3000	6
900/400	3000	6
900/500	3000	6
900/600	3000	6
900/700	3000	6
900/800	3000	6
900/900	3000	6
1000/110	3000	6
1000/200	3000	6
1000/300	3000	6
1000/400	3000	6
1000/500	3000	6
1000/600	3000	6
1000/700	3000	6
1000/800	3000	6
1000/900	3000	6
1000/1000	3000	6

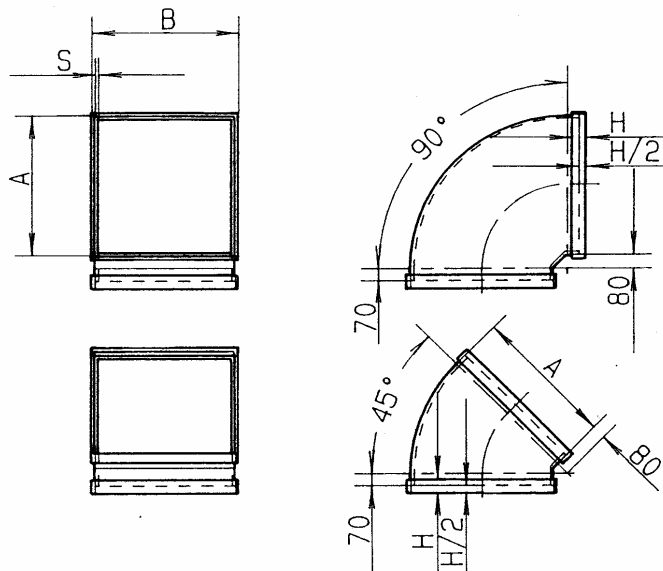
Other dimensions are also possible.



90° / 45° bend

Dimensional Drawing
Material

No. 1.042 / 43
PVC / PP / PPs / PE



Dimension A / B	PP / PPs S	PVC S	Coupling H
110-250	4	3	50
251-500	4	4	80
501-1000	6	5	80

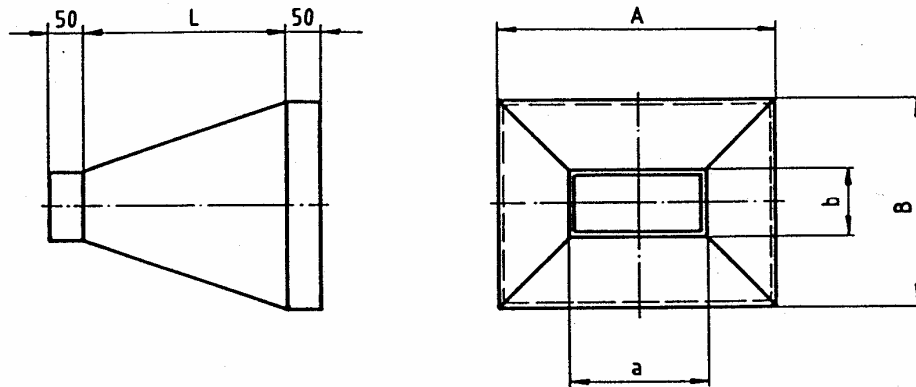
Other dimensions are also possible.

Standard ventilation components *rectangular*

Rectangular taper-piece

Dimensional Drawing
Material

No. 1.044
PVC / PP / PPs / PE



A or B	L	S
< 500	*	4
> 500 - < 750	*	5
> 750	*	6

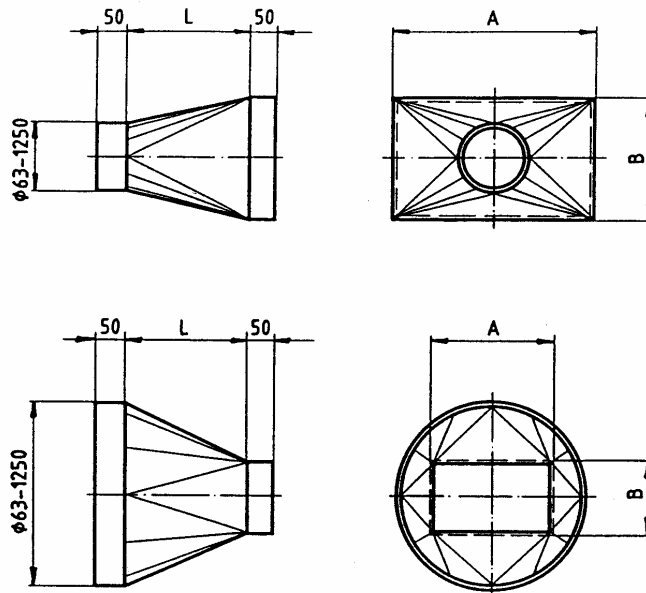
Standard sizes: as for ducting.

* Dimension L depends on the size of the two connecting cross-sections.

Rectangular / round connecting-piece

Dimensional Drawing
Material

No. 1.045
PVC / PP / PPs / PE



A or B	L	S
< 500	*	4
> 500 - < 1000	*	6
> 1000	*	8

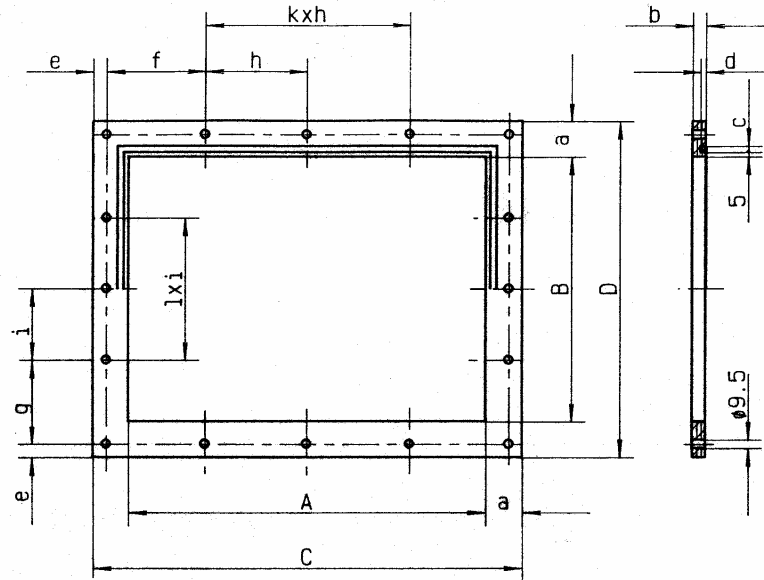
Standard sizes: as for ducting.

* Dimension L depends on the size of the two connecting cross-sections.

Rectangular flange CN

Dimensional Drawing
Material

No. 1.046
PVC / PP / PPs / PE



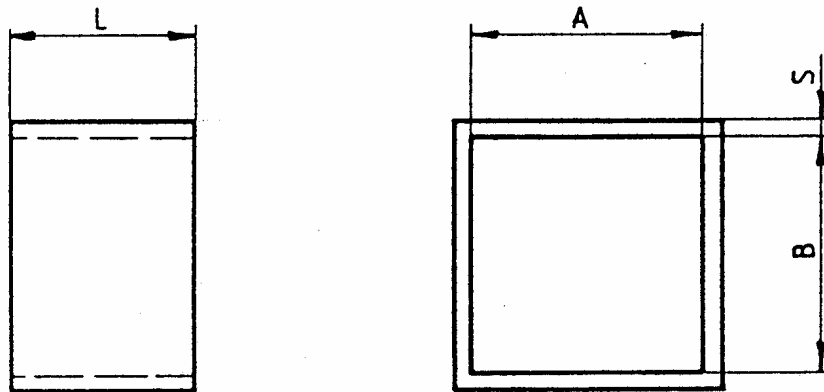
A/B	C/D	a	b	c	d	e	f/g	h/i	k/l	m
110	170	30	8	5	3	10	75	0	0	9.5
150	210	30	8	5	3	10	80	0	0	9.5
200	260	30	10	5	3	10	80	80	1	9.5
250	310	30	10	5	3	10	70	75	2	9.5
300	380	40	10	7	6	15	95	80	2	9.5
550	430	40	10	7	6	15	100	100	2	9.5
400	480	40	15	7	6	15	110	115	2	9.5
450	530	40	15	7	6	15	100	100	3	9.5
500	580	40	15	7	6	15	110	110	3	9.5
550	630	40	15	7	6	15	100	100	4	9.5
600	680	40	15	7	6	15	105	110	4	9.5
650	730	40	20	7	6	15	100	100	5	9.5
700	780	40	20	7	6	15	100	110	5	9.5
750	830	40	20	7	6	15	100	100	6	9.5
800	880	40	20	7	6	15	110	105	6	9.5
850	930	40	20	7	6	15	100	100	7	9.5
900	980	40	20	7	6	15	104	106	7	9.5
950	103	40	20	7	6	15	100	100	8	9.5
1000	108	40	20	7	6	15	105	105	8	9.5

Standard ventilation components *rectangular*

Rectangular coupler

Dimensional Drawing
Material

No. 1.048
PVC / PP / PPs / PE



A or B	L	PVC S	PP / PPs / PE S
110 – 250	50	3	4
251 – 500	80	4	4
501 - 1000	80	5	5

Standard sizes: as for ducting.